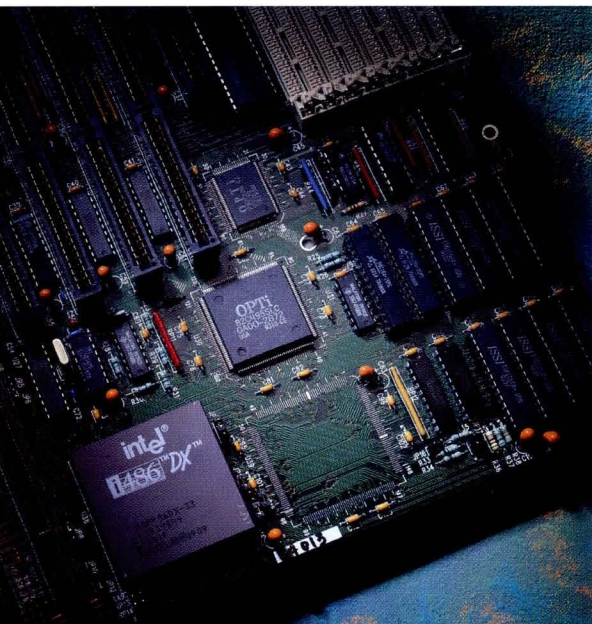
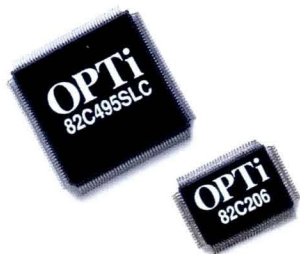


AT

.....386/486 Low Cost Write Back.....



The OPTi DXSLC was designed with two major objectives in mind. First, support the high volume, high performance 386/486 VL market. Second, be the most cost-efficient solution, even, in this extremely competitive market. The DXSLC redefines chipset solutions for that "value" market in a single broad-stroke.

The DXSLC vehicle provides all the above values—but still in, the OPTi tradition of reliability, compatibility, support and service throughout the design and after sales.

The DXSLC is designed to be the best combination of cost-effective packaging and partitioning, while keeping the feature set robust.

The DXSLC is the "only" solution if you want to have a competitive solution in today's and tomorrow's markets.

Features/Benefits

- One 160-pin CMOS Plastic Flat Package (PFP) plus 82C206
- Internal buffers and termination to reduce external parts count
- Copy-back Direct-Mapped Cache with size of 64Kb, 128Kb, 256Kb and 512Kb
- Up to 10% performance enhancement from write-through cache scheme
- Supports 2,1,1,1 or 3,2,2,2 cache cycles
- On-chip comparator determines cache hit or miss
- Up to 64-MB of local high-speed, page-mode, DRAM memory space
- Burst-line-fill during Cache-Read-Miss
- Control of two non-cacheable regions
- Shadow RAM support for System BIOS, Video Bios and adapter card BIOS
- Optional caching of shadowed Video BIOS
- Hidden refresh support to enhance system performance
- 8042 emulation for fast CPU-reset and gateA20 generation
- Turbo/slow speed selection
- AT-bus clock selectable from CLKI (/6,/5,/4,/3)
- CAS before RAS refresh reduces power consumption
- Optional 0 or 1 wait state for Cache-Write-Hit
- 387 Coprocessor support for 386 mode
- Internal CD and CA bus pull-up resistors to save components and board real-estate
- Comprehensive VESA VL and OPTi High Performance Local Bus support
- Low cost, low power, 1.0 μ CMOS Technology

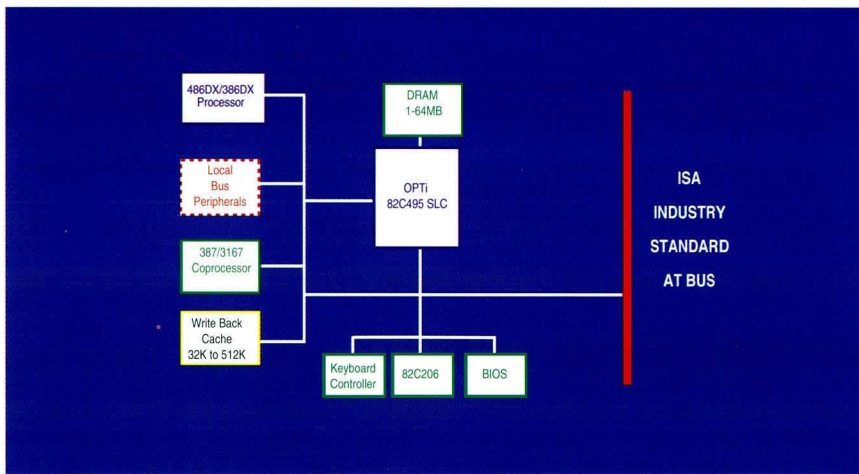


The OPTi 495SLC is a "Super Low Cost", two chip solution offering optimal performance for low to mid-range 386/486 based AT systems. The OPTi 495SLC is designed for 386 systems running from 20, 25, 33 and 50 MHz. The 82C495SLC integrates

a write-back cache controller, a local DRAM controller, the CPU state machine, the AT bus state machine and data buffers, all in a single 160-pin PFP. New on-chip hardware provides the hooks for OPTi and VESA local bus device support.

Vital Statistics	486 DXSLC
Frequency	25/33/40/50
VLSI+TTL	2+16
Pals	0
Write-back Cache	64k-512k
DRAM capacity	64M
Video/system BIOS shadow/cache	Yes
Synchronous AT bus clock	8.33/8.25/8.0
Local Bus device support	Yes
Landmark v2.0 (MHz) @ 66MHz	223.04
Power Meter v1.3 (MIPS) @ 66MHz	29.304
Norton SI v6.0 (CI) @ 66 MHz	144.2

**OPTi
DXSLC:
The super
low-cost
leader.**



Sales Offices, Representatives and Distributors

California

OPTi, Inc.
(408) 980-8178
Brooks Technical Group
(415) 960-3880
Jones & McGeoy Sales
(714) 724-8080
(818) 994-6500
Excel
(619) 587-0545

Alabama, Georgia, N Carolina

Concord Component Reps, Inc.
(205) 772-8883
(404) 441-9597
(919) 738-8038

Arizona, New Mexico

Excel
(602) 829-8820
Colorado, Utah
Excel
(303)649-1800

Florida

EIR
(407) 660-9600

Massachusetts

The Nashoba Group
(508) 692-7503

Michigan

Jay Marketing Assoc.
(313) 459-1200

Minn, IA, MO

Stan Clothier Company
(612) 944-3456
(319) 393-1576
(314) 928-8078

New York

S-J Associates, Inc.
(516) 536-4242
(609) 866-1234
(703) 533-2233

Ohio

Lyons Corp
(513) 278-0714
(216) 659-9224
(614) 895-1447

Oregon, Washington

Electronic Component Sales
(206) 232-9301
(503) 245-2342

Texas

Bonsner-Philhower Sales
(214) 234-8438
(713) 782-4144
(512) 346-9186

Australia

Braemac Pty., Ltd.
2-564-1211

Brazil

Uniao Digital
(11) 533-0967

Canada

Richard d'Sa & Associates
(613) 825-0859

France

Tekelec Airtronic
(1) 4623-2418

Germany

OPTi, US
408-980-8178

Hong Kong

DYNAX Electronics Ltd.
481-0223

Italy

Consystem SRI
(039) 299-041977

Japan

Micro Summit
(03) 3258-5531
Dia Semicon Systems, Inc.
(03) 3439-2700

Korea

Kortronics Enterprise
(02) 523-5233

Singapore

Westech Electronics Pte.
743-6355

Taiwan

OPTi, Inc.
(2) 325-8520
Artistex International Inc.
(2) 753-5666
ASEC International Corp.
(2) 505-7025

United Kingdom

Manhattan Skyline
(0628) 75851



OPTi, Inc.
2525 Walsh Avenue
Santa Clara, CA 95051, U.S.A.
Tel: (408) 980-8178
Fax: (408) 980-8860
24-hour Bulletin Board: (408) 980-9774