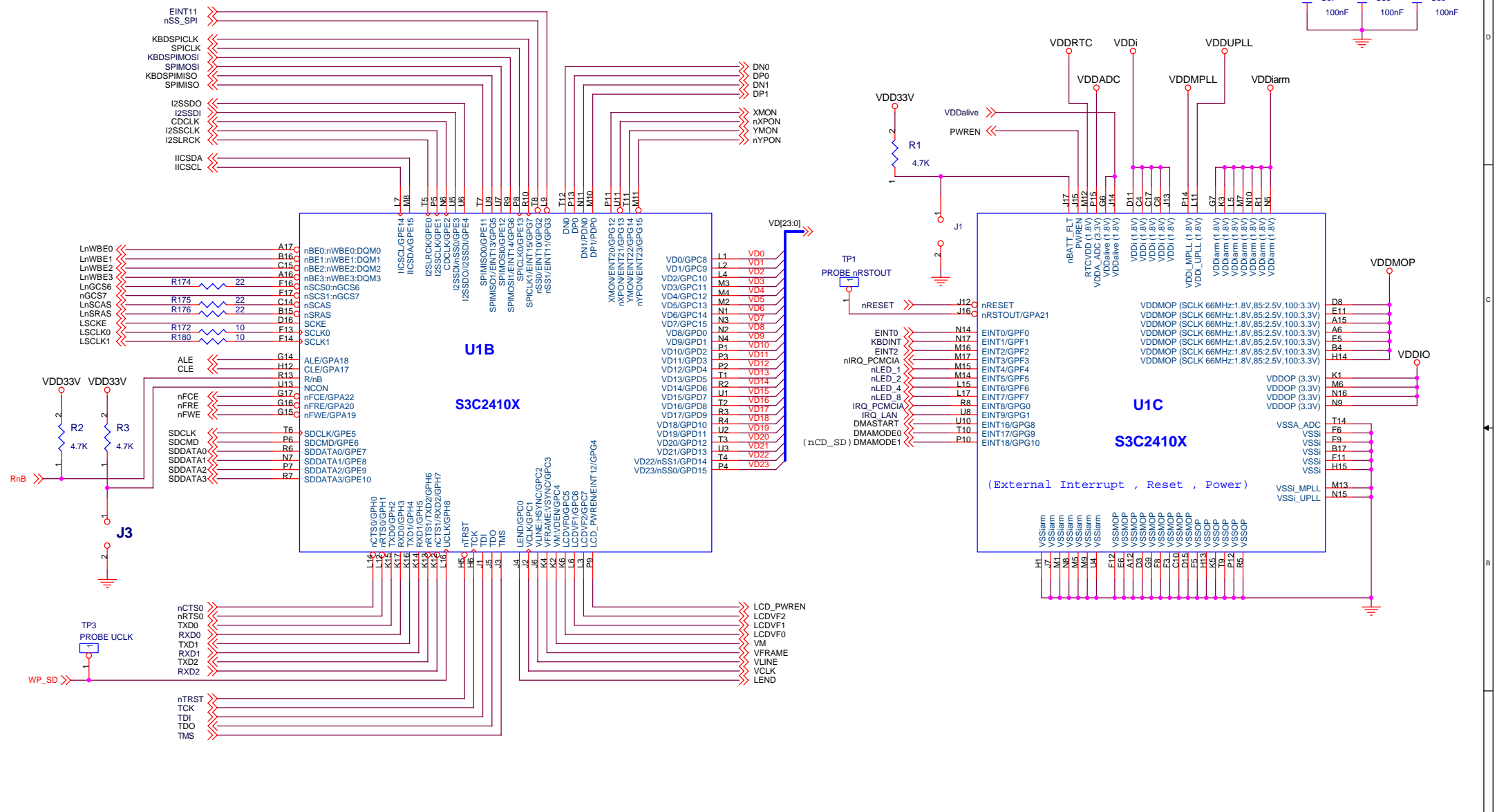


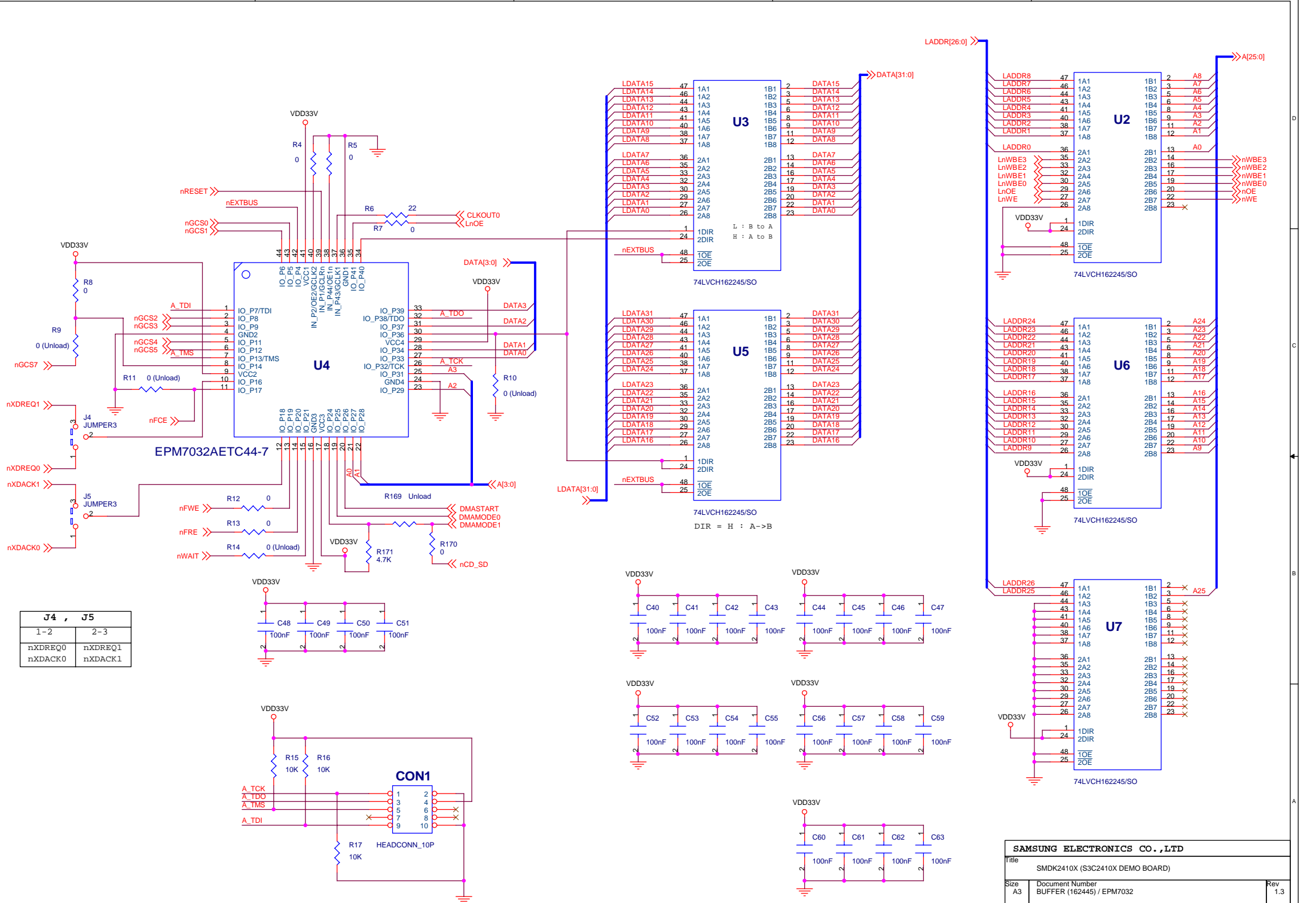
SMDK2410 Board (S3C2410 Reference Board)

PCB Revision	Date	Description
Ver : 1.0 (20020417)	April 17, 2002	First release version (Production for Customer)
Ver : 1.1 (20020509)	May 09, 2002	1. Sheet 2 (Coordinate B5) , 3 (B4) , 10 (D5) : SD card(CON11) function add CD(Card Detect) and WP(Write Protect) -> Add R169 (Unload), R170 (0), R171 (4.7K) 2. Sheet 1 (Coordinate D3, C5) , 2 (C5) : Add damping resister to SDRAM signal.(LSCLK0 10 ohm, LnWE/LnGCS6/LnSCAS/LnSRAS/LADDR2,3,4 22 ohm : R172 10 ohm , R173 ~ R179 22 ohm)
Ver : 1.2 (20020603)	June 03, 2002	1. Sheet 2 (Coordinate C5) : U1B-F14 is changed from TP2 (Probe SCLK1) to LSCLK1 signal -> Add R180 (10 ohm) 2. Sheet 4 (Coordinate C3) : U9-38 is changed from LSCLK0 signal to LSCLK1 signal 3. Sheet 8 (Coordinate A4,B4) : R167, R168 is changed from 0 ohm to 4.7K, and C187,C188 is changed from unload to 1nF.
Ver : 1.3 (20020703)	July 03, 2002	1. Sheet 2,5 (Coordinate B5,C4) : Changed, J2 2Pin ---> 3Pin 2. Sheet 10 (Coordinate D5) : Deleted, R106, R107, R109, R113 ~ R115 (0 ohm) 3. Sheet 10 (Coordinate D5) : Added, R181 ~ R186 (10Kohm)

Title		SMDK2410X (S3C2410X DEMO BOARD)	
Size	Document Number	Revision History	Rev
A3			1.3
Date:	Monday, August 19, 2002	Sheet	0 of 12

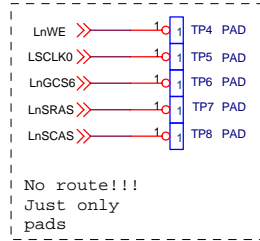


Address Step	NAND Flash Configuration
J3 (NCON)	
0	512 Byte/Page , 3 Step Addressing
1	512 Byte/Page , 4 Step Addressing

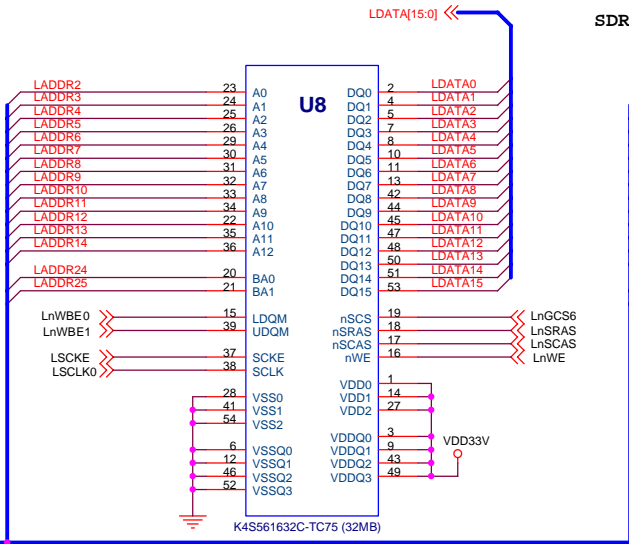


J4 , J5	
1-2	2-3
nXDREQ0	nXDREQ1
nXDACK0	nXDACK1

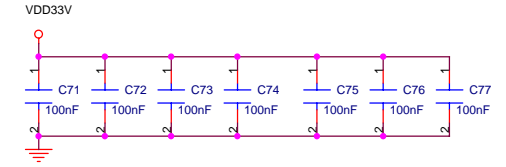
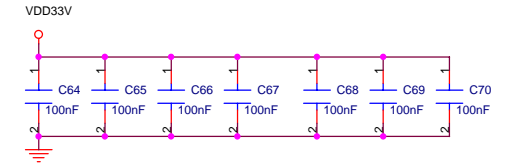
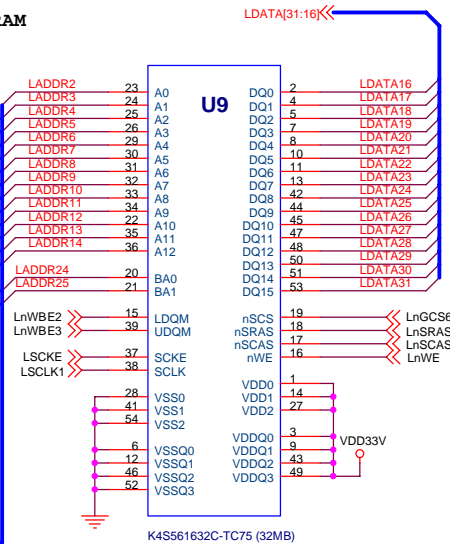
SAMSUNG ELECTRONICS CO.,LTD		
Title SMDK2410X (S3C2410X DEMO BOARD)		
Size A3	Document Number BUFFER (162445) / EPM7032	Rev 1.3
Date: Monday, August 19, 2002	Sheet 3	of 12



LADDR[25:2] >>



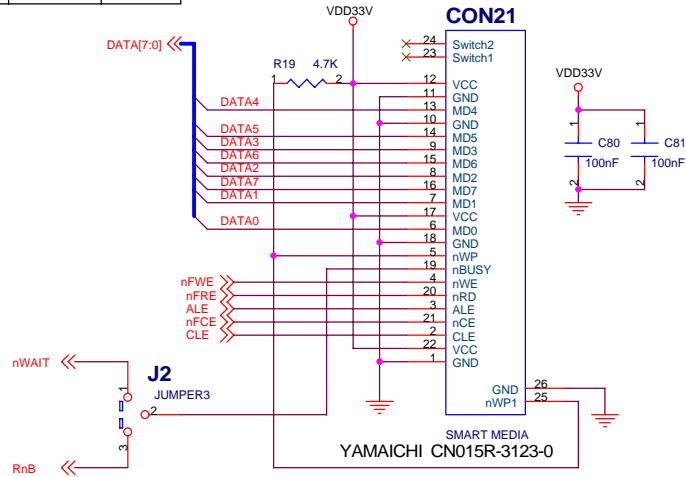
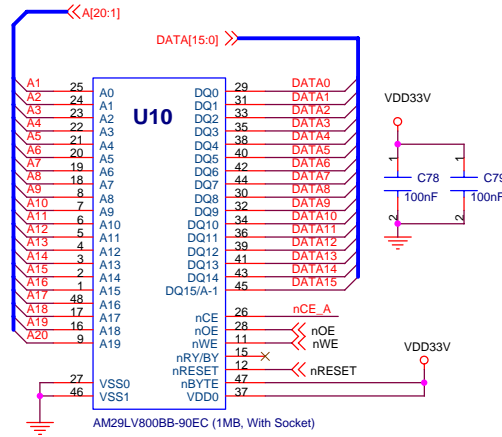
SDRAM



S3C2410X01	J2	
Revision 0	1 - 2	nWAIT
Revision 1	2 - 3	RnB

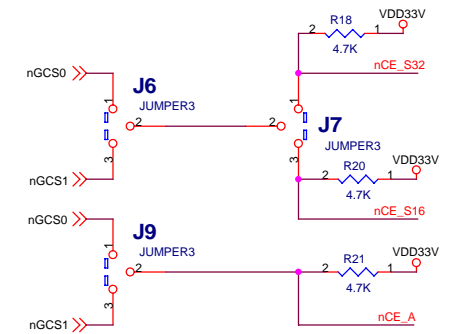
SmartMedia Card (NAND Flash memory)

AMD Flash Memory (SOCKET)

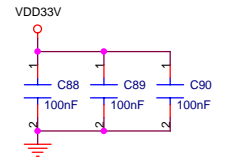
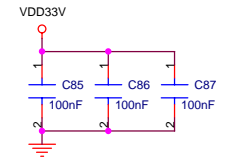
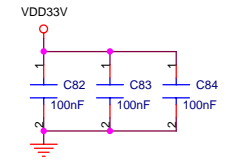
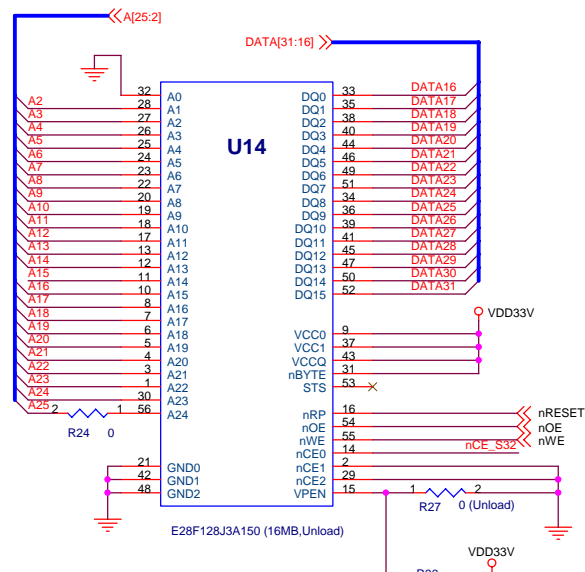
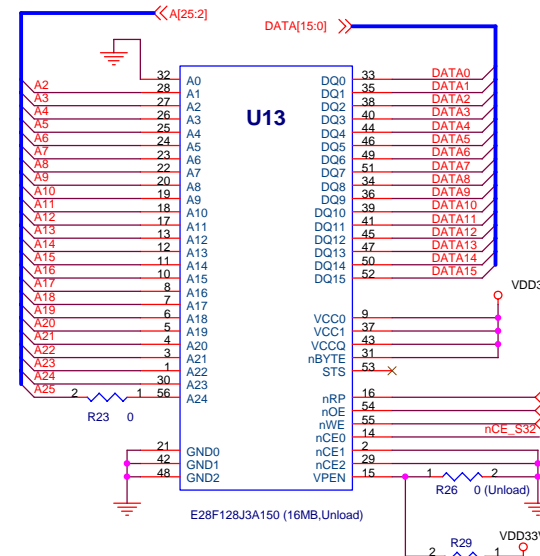
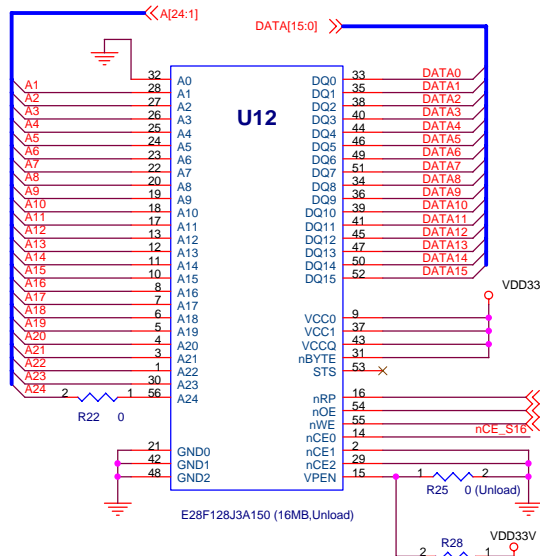


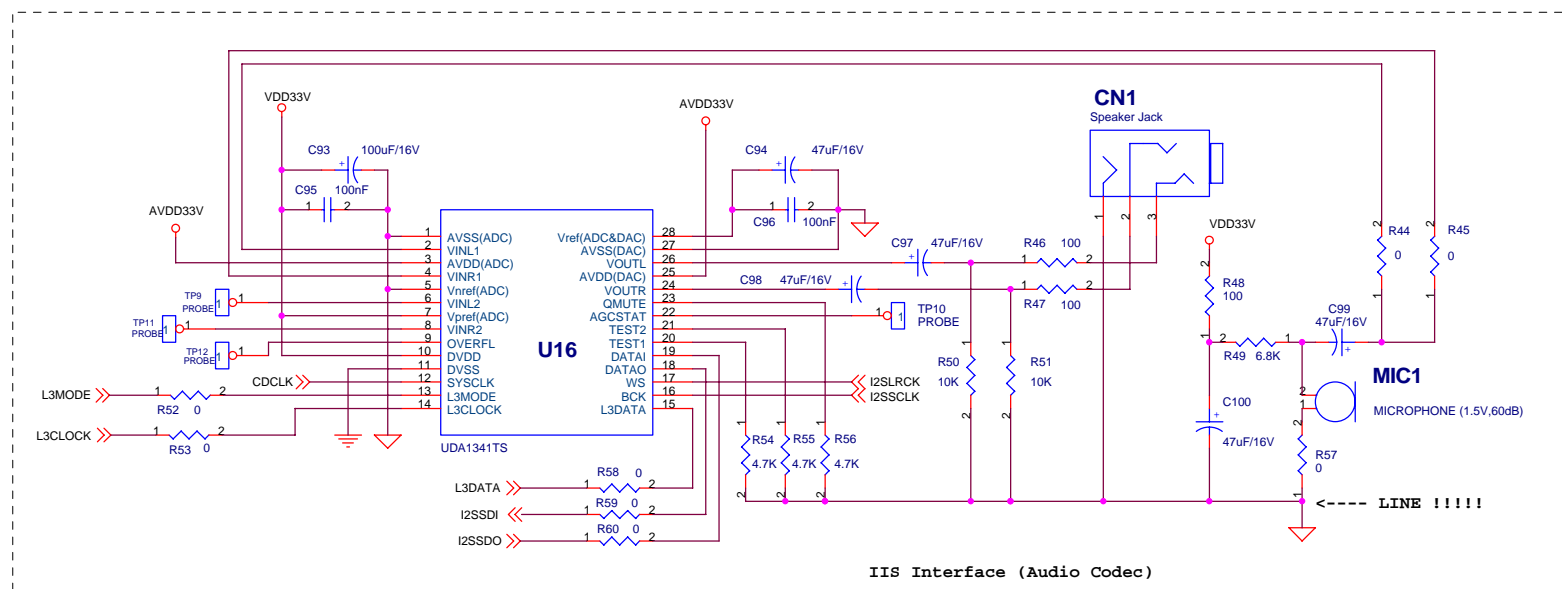
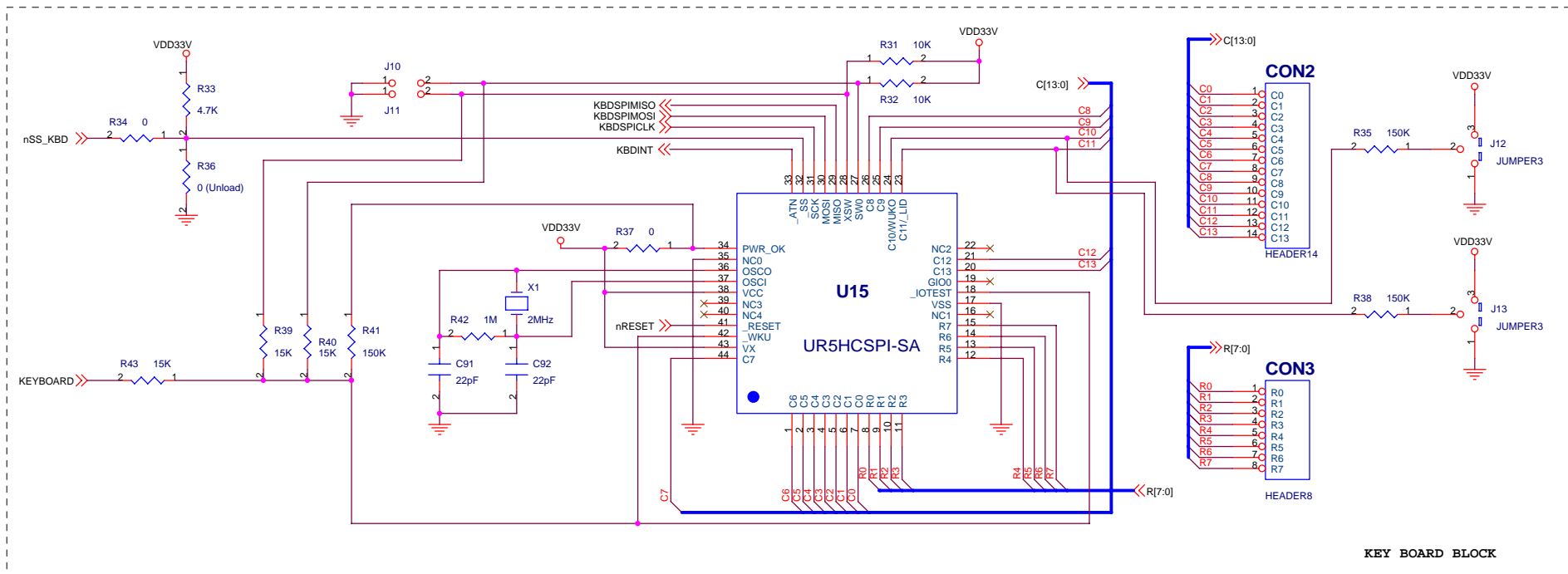
FLASH Memory Select

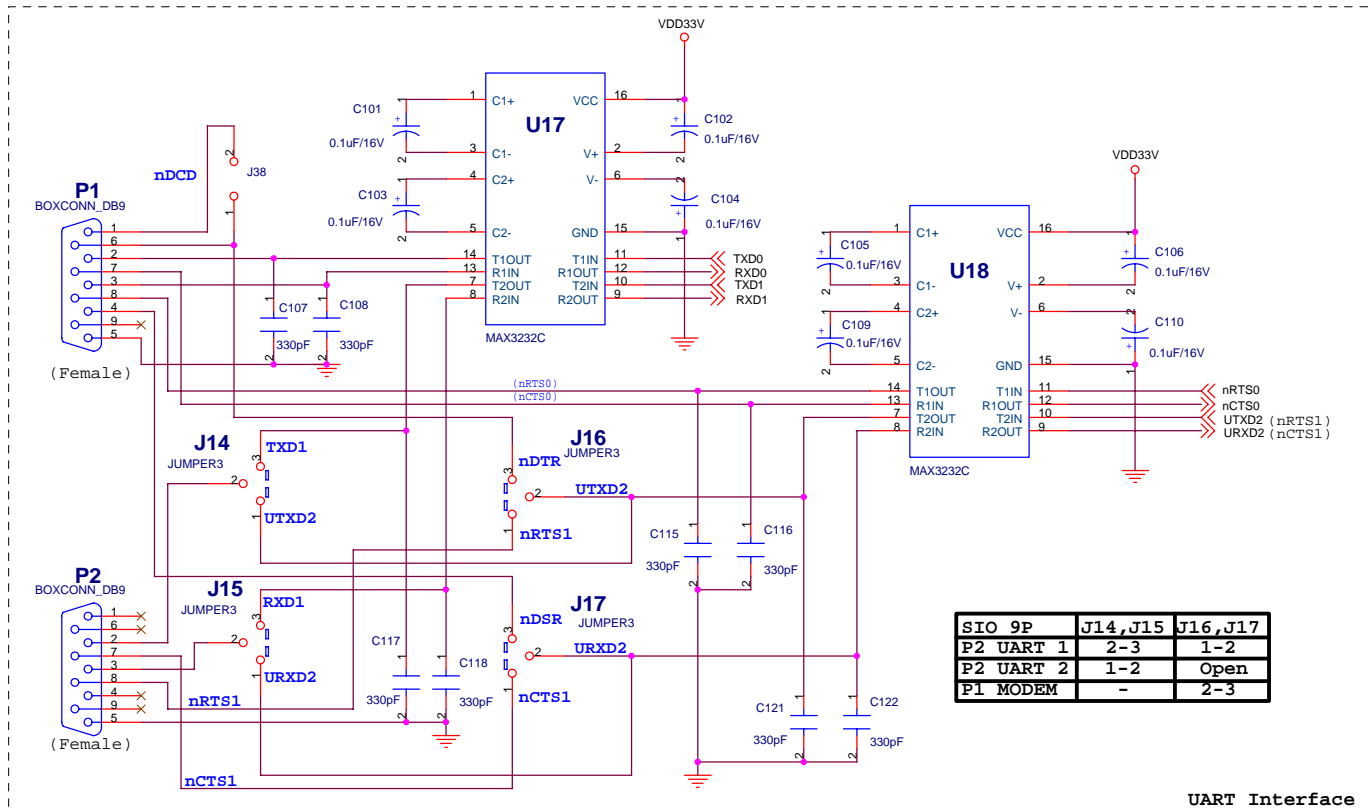
FLASH	J6	J9	J7
AMD Flash	2-3	1-2	1-2
Strata 32bit	1-2	2-3	1-2
Strata 16bit	1-2	2-3	2-3



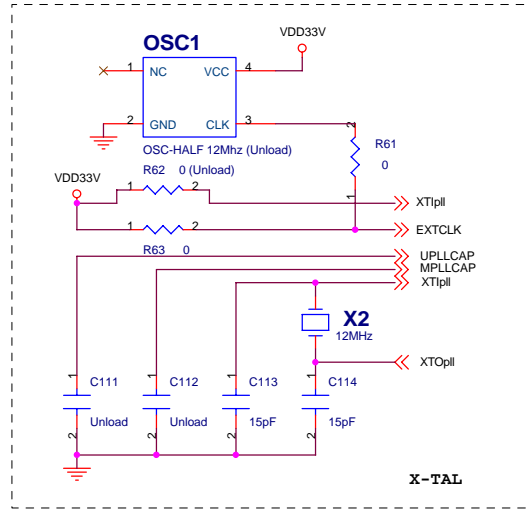
INTEL StrataFlash Memory(SMD Unload)



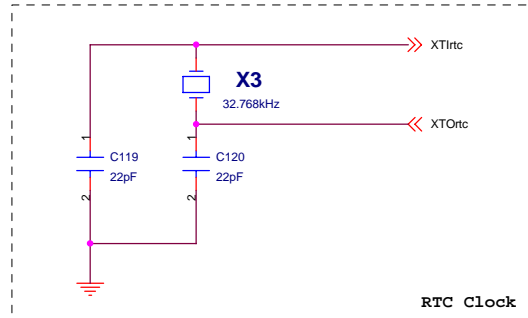




UART Interface

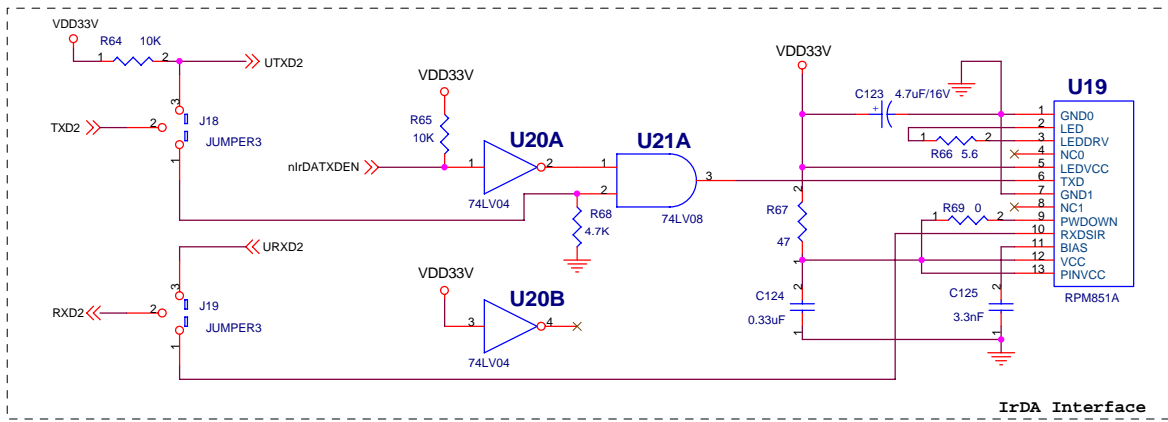


X-TAL

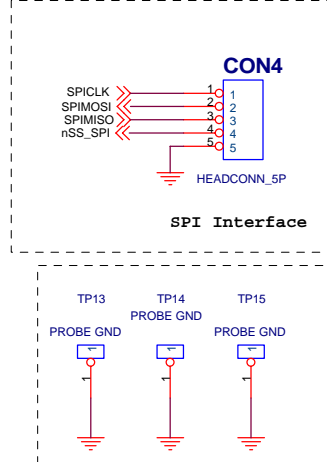


RTC Clock

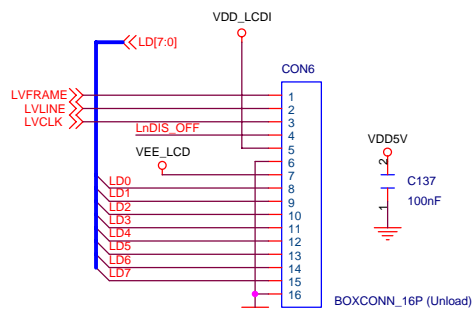
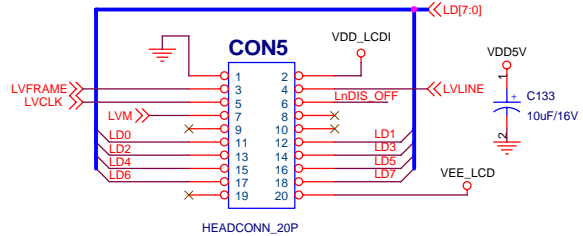
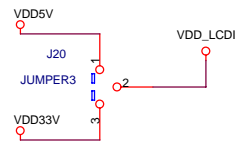
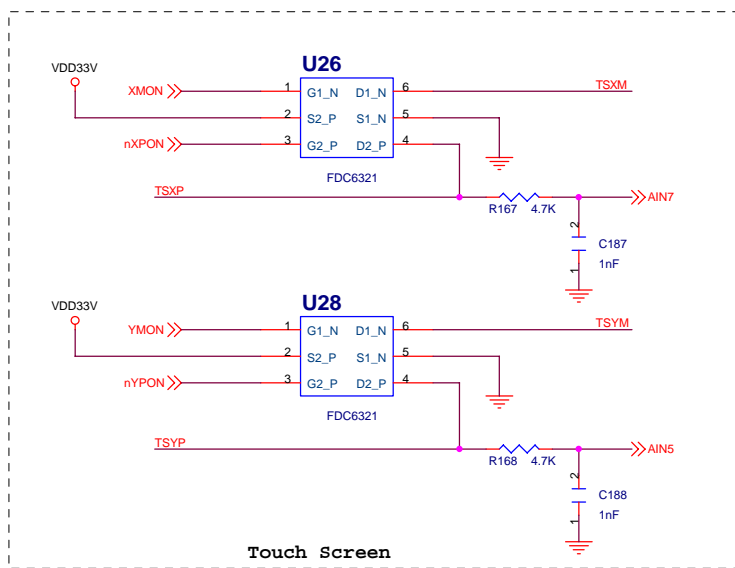
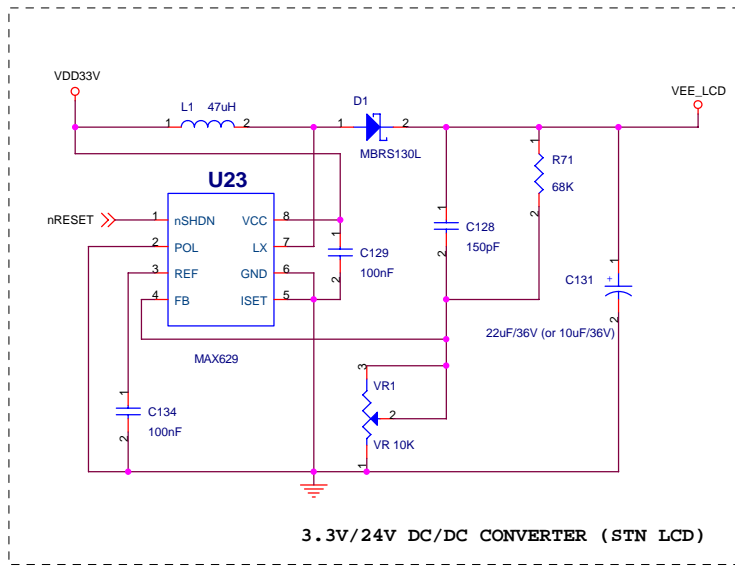
	J18	J19
IrDA	1-2	1-2
UART2	2-3	2-3



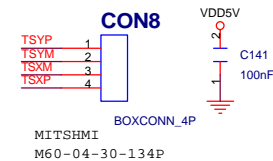
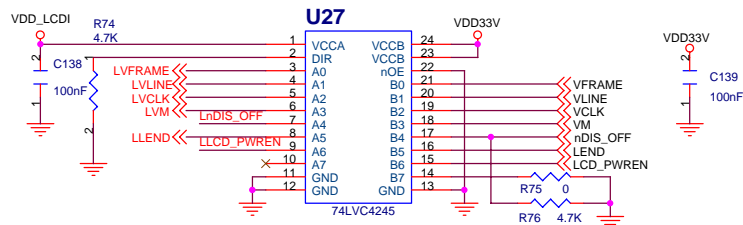
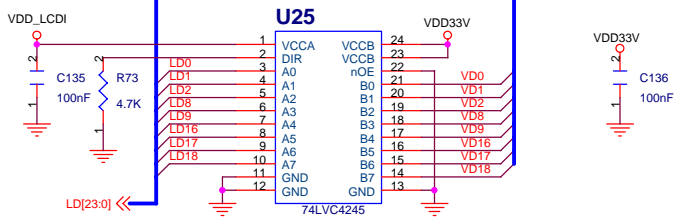
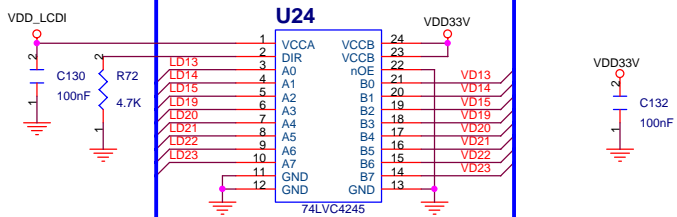
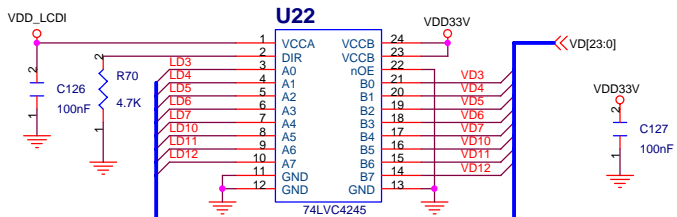
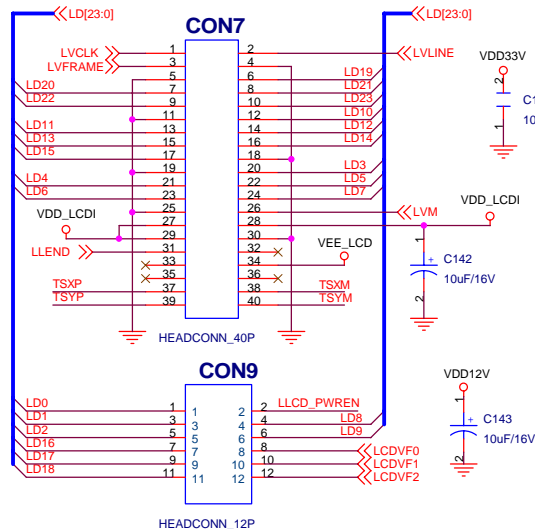
IrDA Interface



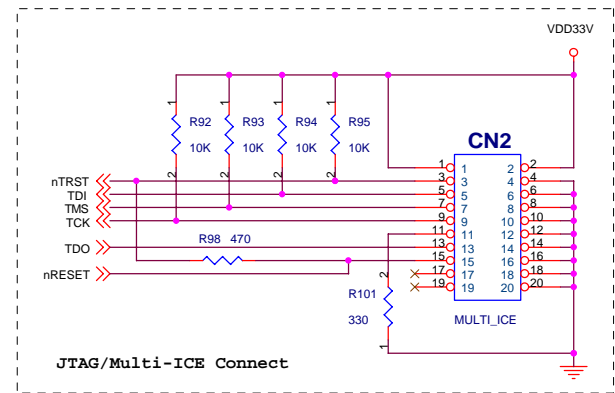
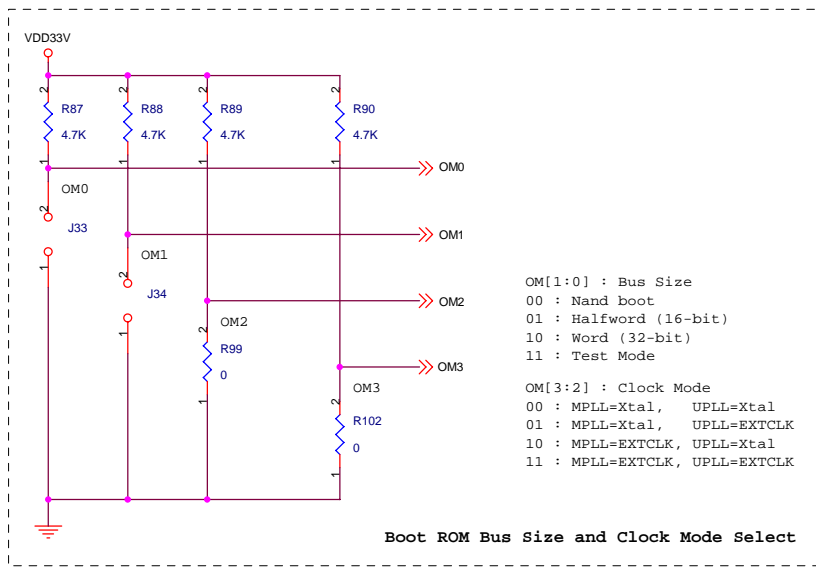
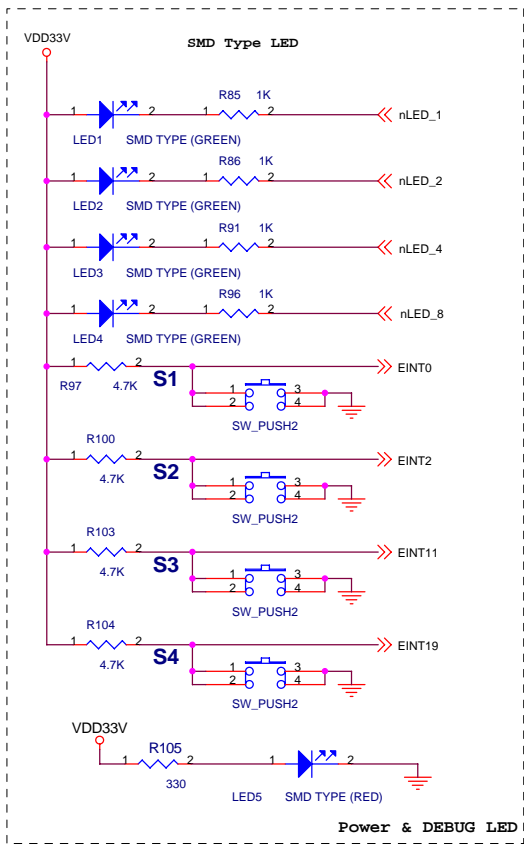
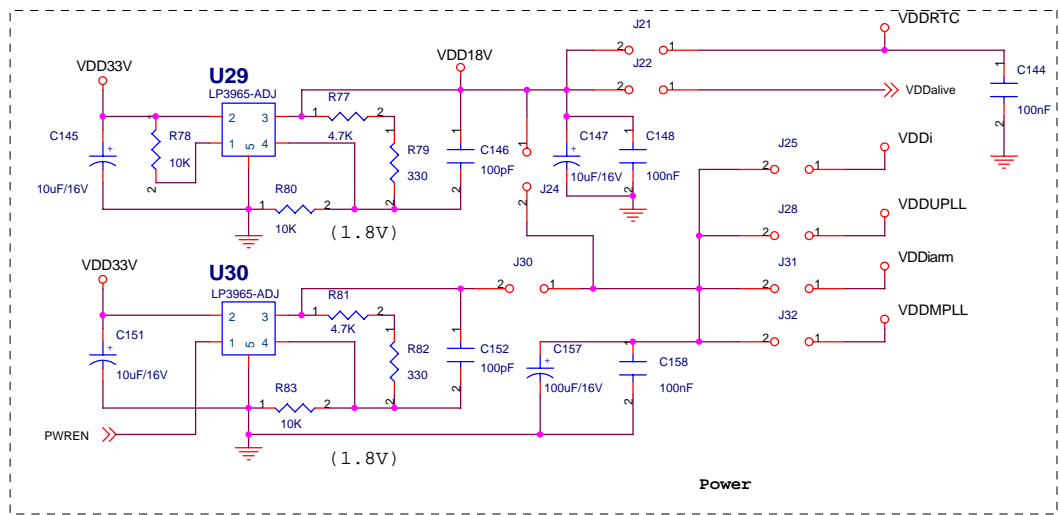
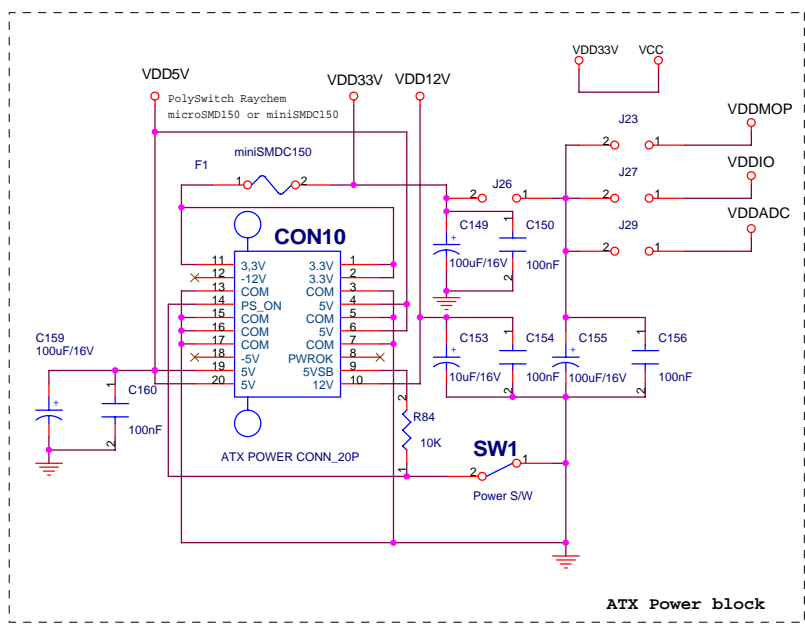
SPI Interface



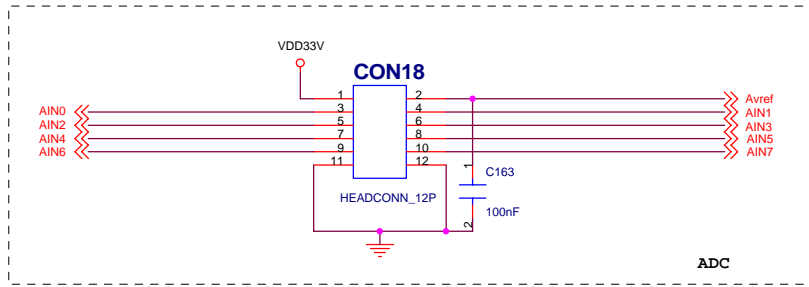
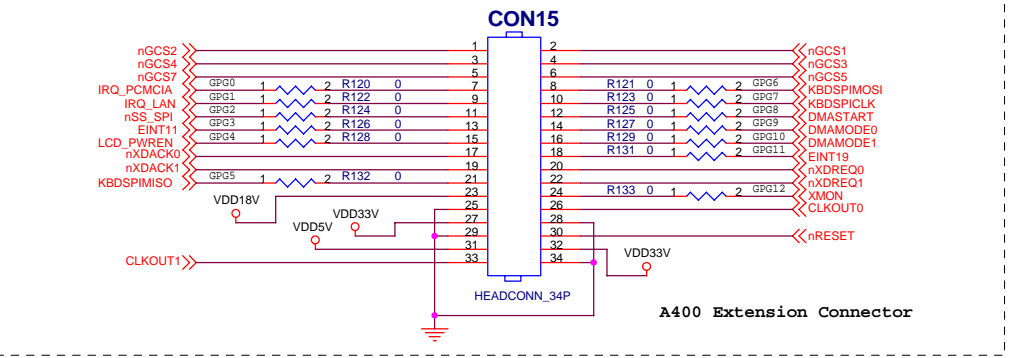
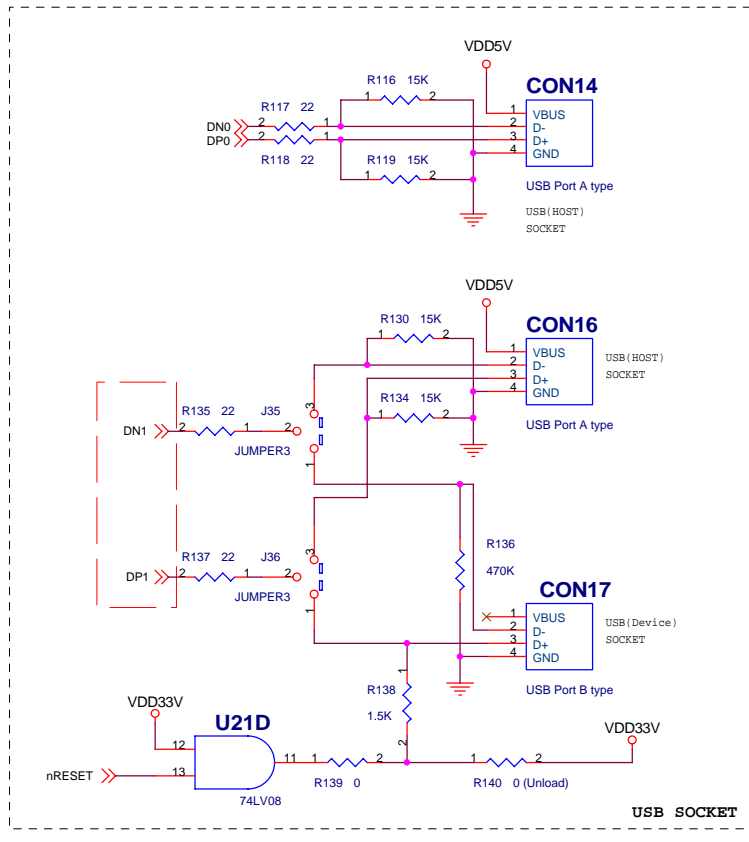
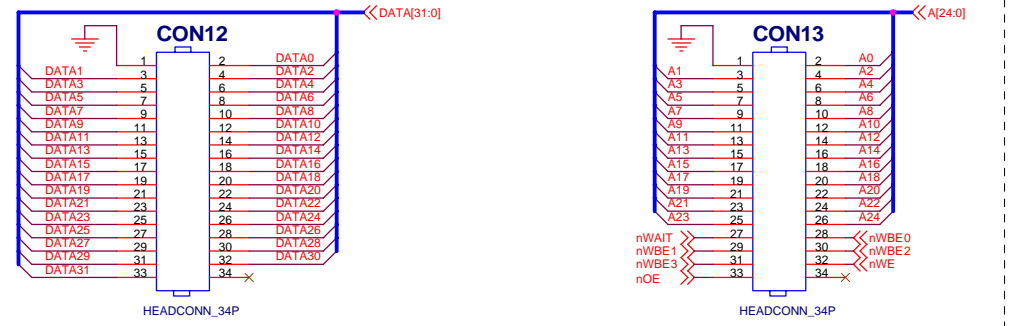
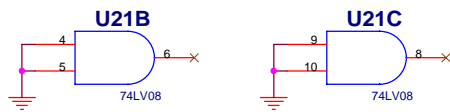
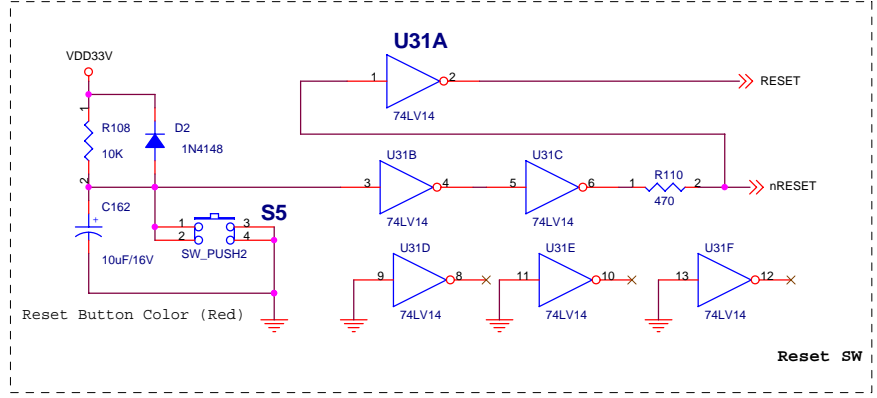
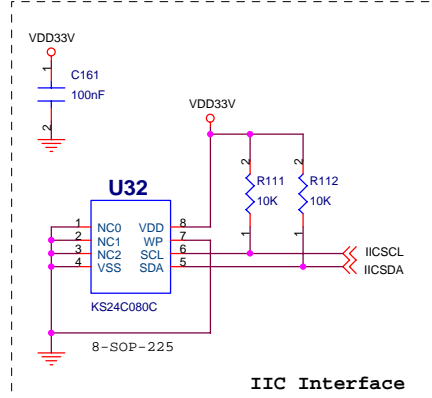
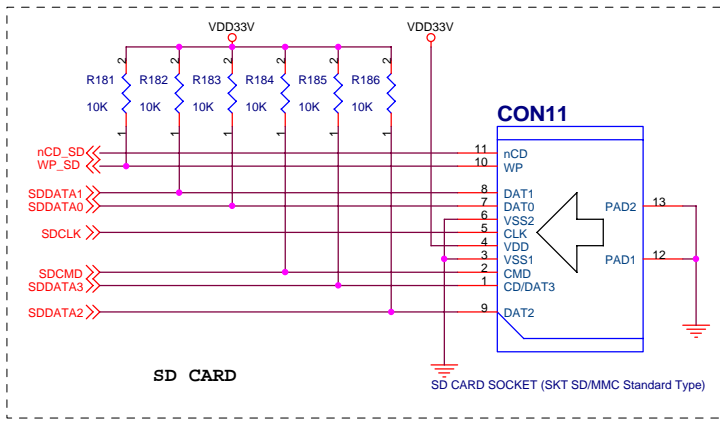
film connector for LCBHT161M
MOLEX 52207-1690



SAMSUNG ELECTRONICS CO.,LTD			
Title			
SMDK2410X (S3C2410X DEMO BOARD)			
Size	A3	Document Number	Rev
Date:	Monday, August 19, 2002	Sheet	8 of 12
			1.3



SAMSUNG ELECTRONICS CO.,LTD		
Title SMDK2410X (S3C2410X DEMO BOARD)		
Size A3	Document Number POWER / SPI / JTAG/ LED / OM	Rev 1.3
Date: Monday, August 19, 2002	Sheet 9	of 12



SAMSUNG ELECTRONICS CO.,LTD		
Title SMDK2410X (S3C2410X DEMO BOARD)		
Size A3	Document Number SD / IIC / Reset / ADC / USB / A400 Connector	Rev 1.3
Date: Monday, August 19, 2002	Sheet 10	of 12

