



**VT6305**  
**PCI 1394 Host Controller**  
**1394.A OHCI Link Layer Controller**  
**for the PCI Bus**

Revision 0.2  
March 10, 2000

**VIA TECHNOLOGIES, INC.**

## Copyright Notice:

Copyright © 1998 VIA Technologies Incorporated. Printed in the United States. ALL RIGHTS RESERVED.

No part of this document may be reproduced, transmitted, transcribed, stored in a retrieval system, or translated into any language, in any form or by any means, electronic, mechanical, magnetic, optical, chemical, manual or otherwise without the prior written permission of VIA Technologies Incorporated.

VT6305 may only be used to identify a product of VIA Technologies, Inc.



is a registered trademark of VIA Technologies, Incorporated.

Windows 95™, Windows 98™, Windows NT™, and Plug and Play™ are registered trademarks of Microsoft Corp.

PCI™ is a registered trademark of the PCI Special Interest Group.

All trademarks are the properties of their respective owners.

## Disclaimer Notice:

No license is granted, implied or otherwise, under any patent or patent rights of VIA Technologies. VIA Technologies makes no warranties, implied or otherwise, in regard to this document and to the products described in this document. The information provided by this document is believed to be accurate and reliable to the publication date of this document. However, VIA Technologies assumes no responsibility for any errors in this document. Furthermore, VIA Technologies assumes no responsibility for the use or misuse of the information in this document and for any patent infringements that may arise from the use of this document. The information and product specifications within this document are subject to change at any time, without notice and without obligation to notify any person of such change.

## Offices:

### USA Office:

1045 Mission Court  
Fremont, CA 94539  
USA  
Tel: (510) 683-3300  
Fax: (510) 683-3301

### Taipei Office:

8<sup>th</sup> Floor, No. 533  
Chung-Cheng Road, Hsin-Tien  
Taipei, Taiwan ROC  
Tel: (886-2) 218-5452  
Fax: (886-2) 218-5453

## Online Services:

Web Page: <http://www.via.com.tw> –or- <http://www.viatech.com>  
FTP Server: <ftp://ftp.via.com.tw>  
BBS: 886-2-2185208

## REVISION HISTORY

Document Release	Date	Revision	Initials
Revision 0.1	5/19/98	Initial release as VT83C574	DH
Revision 0.2	7/31/98	Changed part # to VT6305 Revised pinouts and added pin descriptions	DH

# TABLE OF CONTENTS

<b>REVISION HISTORY</b> .....	<b>I</b>
<b>TABLE OF CONTENTS</b> .....	<b>II</b>
<b>LIST OF FIGURES</b> .....	<b>III</b>
<b>LIST OF TABLES</b> .....	<b>III</b>
<b>OVERVIEW</b> .....	<b>2</b>
<b>PINOUTS</b> .....	<b>3</b>
<b>PIN DIAGRAM</b> .....	<b>3</b>
<b>PIN LIST</b> .....	<b>4</b>
<b>PIN DESCRIPTIONS</b> .....	<b>5</b>
<b>REGISTERS</b> .....	<b>8</b>
<b>REGISTER OVERVIEW</b> .....	<b>8</b>
<b>REGISTER DESCRIPTIONS</b> .....	<b>11</b>
<b>1394 Host Controller Configuration Registers (Function 0)</b> .....	<b>11</b>
Configuration Space Header .....	11
Controller-Specific Configuration Registers.....	13
<b>1394 Host Controller Memory-Space Registers</b> .....	<b>14</b>
Autonomous CSR Resources .....	15
Bus Management CSR Registers .....	15
HC Control Registers .....	17
Self-ID Control Registers .....	18
Channel Mask Registers.....	18
Interrupt Registers.....	19
Link Control Registers .....	21
PHY Control Registers.....	22
Cycle Timer Registers.....	22
Filter Registers .....	23
Asynchronous Transmit & Receive Context Registers.....	24
Isochronous Transmit Context Registers.....	26
Isochronous Receive Context Registers.....	27
<b>ELECTRICAL SPECIFICATIONS</b> .....	<b>29</b>
<b>ABSOLUTE MAXIMUM RATINGS</b> .....	<b>29</b>
<b>DC CHARACTERISTICS</b> .....	<b>29</b>
<b>PACKAGE MECHANICAL SPECIFICATIONS</b> .....	<b>30</b>

## LIST OF FIGURES

<b>FIGURE 1. VT6305 CHIP BLOCK DIAGRAM</b> .....	<b>2</b>
<b>FIGURE 2. VT6305 PIN DIAGRAM (TOP VIEW)</b> .....	<b>3</b>
<b>FIGURE 3. VT6305 PIN LIST (<u>ALPHABETICAL ORDER</u>)</b> .....	<b>4</b>
<b>FIGURE 4. MECHANICAL SPECIFICATIONS – 128 PIN PQFP PACKAGE</b> .....	<b>30</b>

## LIST OF TABLES

<b>TABLE 1. VT6305 PIN DESCRIPTIONS</b> .....	<b>5</b>
<b>TABLE 2. REGISTERS</b> .....	<b>8</b>
<b>TABLE 3. PACKET EVENT CODES</b> .....	<b>25</b>

**VT6305**  
**PCI 1394 HOST CONTROLLER**  
**1394.A OHCI LINK LAYER CONTROLLER**  
**FOR THE PCI BUS**

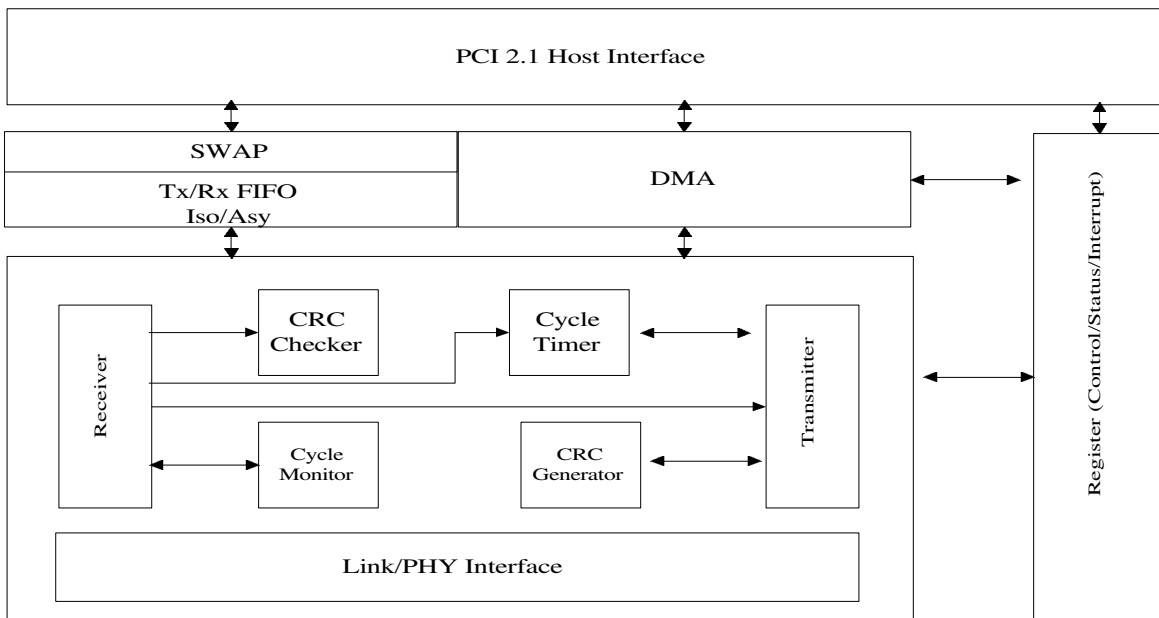
- **Single Chip PCI Host Controller for IEEE P1394.A**
- **Data Transfers of 100 / 200 / 400 MHz**
- **Embedded IEEE 1394.A Link Core**
  - 32 bit CRC generator and checker for receive and transmit data
  - Built-in isochronous and asynchronous receive and transmit FIFOs for packets
  - 2 / 4 / 8 bit data interface to external discrete PHY
  - Compliant with IEEE 1394.A Specification Release 1.0
- **OHCI Compliant Programming Interface**
  - Descriptor based isochronous and asynchronous DMA channels for receive / transmit packets
  - Compliant with 1394 Open HCI Specification v0.94
- **32-Bit Power-Managed PCI Bus Interface**
  - High-performance bus mastering support
  - Byte alignment to run in both little-endian (x86/PCI) and byte-swapped big-endian (PowerMac/PCI) environments
  - Compliant with PCI Bus Power Management Specification v1.0
- **3.3V Power Supply with 5V Tolerant Inputs**
- **0.35um, Low Power CMOS Process**
- **128-Pin PQFP Package**
- **PCB Reference Designs & Schematics Available**

## OVERVIEW

The VT6305 IEEE 1394 Open HCI Link Controller provides high performance serial connectivity. It implements the Link layer for IEEE 1394.A release v1.0 and is compliant with Open HCI with DMA engine support for high performance data transfer. It has a PCI host bus interface.

The VT6305 supports 100, 200 and 400 Mbits/sec transmission. Depending on transmission speed, the Link / PHY connection is provided through a 2- / 4- / 8-bit interface operating at 50 MHz. The VT6305 services two types of data packets: asynchronous and isochronous (real time). The 1394 link core performs arbitration requesting, packet generation and checking, and bus cycle master operations. It also has root node capability and performs cycle and retry operations.

The VT6305 is ready to provide industry-standard IEEE 1394 peripheral connections for desktop and mobile PC platforms. Support for the VT6305 will be built into Microsoft Windows 98 (Memphis) and Windows NT 5.0.



**Figure 1. VT6305 Chip Block Diagram**

# PINOUPS

## Pin Diagram

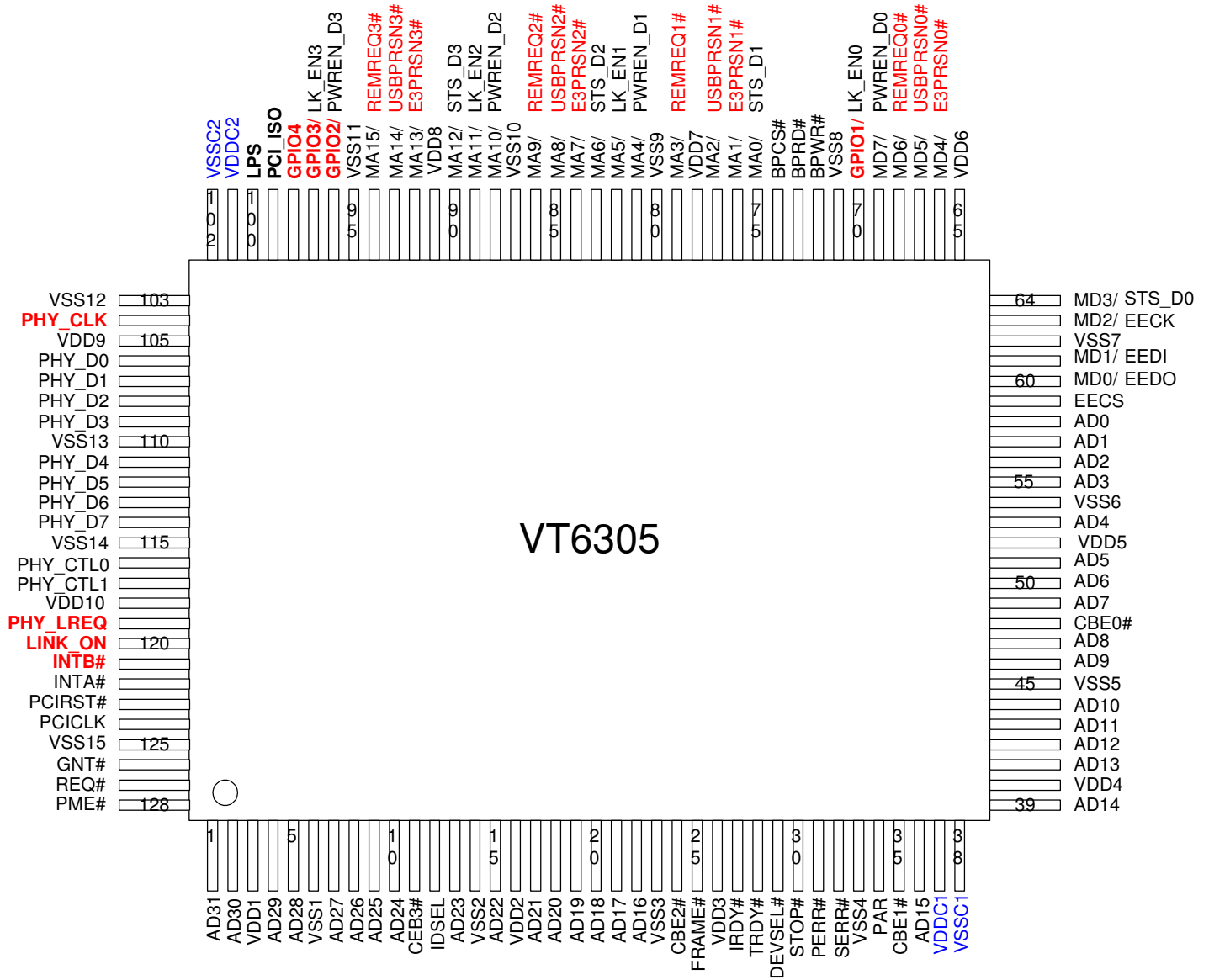


Figure 2. VT6305 Pin Diagram (Top View)



## Pin List

Figure 3. VT6305 Pin List (Alphabetical Order)

Pin		Pin Name	Pin		Pin Name	Pin		Pin Name	Pin		Pin Name
58	IO	AD00	48	IO	CBE0#	75	O / I	MA00 / DB1SLK	104	I	PHYCLK
57	IO	AD01	35	IO	CBE1#	76	O / I	MA01 / DB11394#	116	IO	PHYCTL0
56	IO	AD02	24	IO	CBE2#	77	O / I	MA02 / DB1USB#	117	IO	PHYCTL1
55	IO	AD03	11	IO	CBE3#	79	O / I	MA03 / DB1RRQ#	106	IO	PHYD0
53	IO	AD04	29	IO	DEVSEL#	81	O / O	MA04 / DB1PEN	107	IO	PHYD1
51	IO	AD05	59	O	EECS#	82	O / O	MA05 / DB1LEN	108	IO	PHYD2
50	IO	AD06	25	IO	FRAME#	83	O / I	MA06 / DB2SLK	109	IO	PHYD3
49	IO	AD07	6	P	GND	84	O / I	MA07 / DB21394#	111	IO	PHYD4
47	IO	AD08	14	P	GND	85	O / I	MA08 / DB2USB#	112	IO	PHYD5
46	IO	AD09	23	P	GND	86	O / I	MA09 / DB2RRQ#	113	IO	PHYD6
44	IO	AD10	33	P	GND	88	O / O	MA10 / DB2PEN	114	IO	PHYD7
43	IO	AD11	38	P	GND	89	O / O	MA11 / DB2LEN	120	I	PHYLON
42	IO	AD12	45	P	GND	90	O / I	MA12 / DB3SLK	100	I	PHYLPS
41	IO	AD13	54	P	GND	92	O / I	MA13 / DB31394#	119	O	PHYLREQ
39	IO	AD14	62	P	GND	93	O / I	MA14 / DB3USB#	128	O	PME#
36	IO	AD15	71	P	GND	94	O / I	MA15 / DB3RRQ#	127	O	PREQ#
22	IO	AD16	80	P	GND	74	O	MCS#	123	I	RESET#
21	IO	AD17	87	P	GND	60	IO / O	MD0 / EEDO	32	O	SERR#
20	IO	AD18	95	P	GND	61	IO / I	MD1 / EEDI	30	IO	STOP#
19	IO	AD19	102	P	GND	63	IO / O	MD2 / EECK	28	IO	TRDY#
18	IO	AD20	103	P	GND	64	IO / I	MD3 / DB0SLK	3	P	VCC
17	IO	AD21	110	P	GND	66	IO / I	MD4 / DB01394#	16	P	VCC
15	IO	AD22	115	P	GND	67	IO / I	MD5 / DB0USB#	26	P	VCC
13	IO	AD23	125	P	GND	68	IO / I	MD6 / DB0RRQ#	37	P	VCC
10	IO	AD24	70	IO / O	GPIO1 / DB0LEN	69	IO / O	MD7 / DB0PEN	40	P	VCC
9	IO	AD25	96	IO / O	GPIO2 / DB3PEN	73	O	MRD#	52	P	VCC
8	IO	AD26	97	IO / O	GPIO3 / DB3LEN	72	O	MWR#	65	P	VCC
7	IO	AD27	98	IO	GPIO4	34	IO	PAR	78	P	VCC
5	IO	AD28	12	O	IDSEL	99	IO	PCIISO	91	P	VCC
4	IO	AD29	122	O	INTA#	124	I	PCLK	101	P	VCC
2	IO	AD30	121	O	INTB#	31	O	PERR#	105	P	VCC
1	IO	AD31	27	IO	IRDY#	126	I	PGNT#	118	P	VCC

## Pin Descriptions

**Table 1. VT6305 Pin Descriptions**

PCI Bus Interface			
Signal Name	Pin No.	I/O	Signal Description
AD[31:0]	1, 2, 4, 5, 7-10, 13, 15, 17-22, 36, 39, 41-44, 46, 47, 49-51, 53, 55-58	IO	<b>Address / Data Bus.</b> The standard PCI address and data lines. The address is driven with FRAME# assertion and data is driven or received in following cycles.
CBE[3:0]#	11, 24, 35, 48	IO	<b>Command / Byte Enable.</b> The command is driven with FRAME# assertion. Byte enables corresponding to supplied or requested data are driven on following clocks.
FRAME#	25	IO	<b>Frame.</b> Assertion indicates the address phase of a PCI transfer. Negation indicates that one more data transfer is desired by the cycle initiator.
DEVSEL#	29	IO	<b>Device Select.</b> As an output, this signal is asserted to claim PCI transactions through positive or subtractive decoding. As an input, DEVSEL# indicates the response to a VT6305-initiated transaction and is also sampled when decoding whether to subtractively decode the cycle.
TRDY#	28	IO	<b>Target Ready.</b> Asserted when the target is ready for data transfer.
IRDY#	27	IO	<b>Initiator Ready.</b> Asserted when the initiator is ready for data transfer.
PREQ#	127	O	<b>PCI Bus Request.</b> Asserted by the bus master to indicate to the bus arbiter that it wants to use the bus.
PGNT#	126	I	<b>PCI Bus Grant.</b> Asserted to indicate that access to the bus is granted.
IDSEL	12	O	<b>Initialization Device Select.</b> IDSEL is used as a chip select during configuration read and write cycles.
INTA#	122	O	<b>Interrupt A.</b> An asynchronous signal used to request an interrupt.
INTB#	121	O	<b>Interrupt B.</b> An asynchronous signal used to request an interrupt.
PCLK	124	I	<b>PCI Clock.</b> Timing reference for all transactions on the PCI Bus.
RESET#	123	I	<b>Reset.</b> When detected low, an internal hardware reset is performed. PCIRST# assertion or deassertion may be asynchronous to PCLK, however, it is recommended that deassertion be synchronous to guarantee a clean and bounce free edge.
PAR	34	IO	<b>Parity.</b> A single parity bit is provided over AD[31:0] and C/BE[3:0]#.
PERR#	31	O	<b>Parity Error.</b> Parity error is asserted when a data parity error is detected.
SERR#	32	O	<b>System Error.</b> SERR# is pulsed active to indicate a system error condition.
STOP#	30	IO	<b>Stop.</b> Asserted by the target to request the master to stop the current transaction.

1394 PHY Interface			
Signal Name	Pin No.	I/O	Signal Description
PHYD[7:0]	114, 113, 112, 111, 109, 108, 107, 106	IO	PHY Data.
PHYCTL1	117	IO	PHY Control 1.
PHYCTL0	116	IO	PHY Control 0.
PHYCLK	104	I	PHY Clock.
PHYLREQ	119	O	PHY Link Request.
PHYLON	120	I	PHY Link On.
PHYLPS	100	I	PHY Link

Serial Configuration Memory Interface			
Signal Name	Pin No.	I/O	Signal Description
EECS#	59	O	EEPROM Chip Select. Chip select for external serial EEPROM when used to provide configuration data. A high-value pull-up resistor is provided internally.
EEDO / MD0	60	O / I	EEPROM Data Out.
EEDI / MD1	61	I / I	EEPROM Data In.
EECK / MD2	63	O / I	EEPROM Clock.

Local Memory Interface			
Signal Name	Pin No.	I/O	Signal Description
MD[7:0]		IO	Memory Data. Pins optionally used for device bay if local memory not used
MA[15:0]		O	Memory Address. Pins optionally used for device bay if local memory not used
MCS#	74	O	Memory Chip Select.
MRD#	73	O	Memory Read Enable.
MWR#	72	O	Memory Write Enable.

Miscellaneous			
Signal Name	Pin No.	I/O	Signal Description
PME#	128	O	Power Management Event.
PCIISO	99	IO	General Purpose I/O.
GPIO1 / DB0LEN	70	IO / O	General Purpose I/O.
GPIO2 / DB3PEN	96	IO / O	General Purpose I/O.
GPIO3 / DB3LEN	97	IO / O	General Purpose I/O.
GPIO4	98	IO	General Purpose I/O.

Power and Ground			
Signal Name	Pin No.	I/O	Signal Description

<b>VCC</b>	3, 16, 26, 37, 40, 52, 65, 78, 91, 101, 105, 118	P	<b>Power.</b>
<b>GND</b>	6, 14, 23, 33, 38, 45, 54, 62, 71, 80, 87, 95, 102, 103, 110, 115, 125	P	<b>Ground.</b>

# REGISTERS

## Register Overview

The following tables summarize the configuration and I/O registers of the VT6305. These tables also document the power-on default value (“Default”) and access type (“Acc”) for each register. Access type definitions used are RW (Read/Write), RO (Read/Only), “—” for reserved / used (essentially the same as RO), and RWC (or just WC) (Read / Write 1’s to Clear individual bits). Registers indicated as RW may have some read/only bits that always read back a fixed value (usually 0 if unused); registers designated as RWC or WC may have some read-only or read write bits (see individual register descriptions for details).

Detailed register descriptions are provided in the following section of this document. All offset and default values are shown in hexadecimal unless otherwise indicated

**Table 2. Registers**

### PCI Function 0 Registers – Controller Configuration

#### Configuration Space Header Registers

Offset	PCI Configuration Space Header	Default	Acc
1-0	Vendor ID	1106	RO
3-2	Device ID	0130	RO
5-4	Command	0000	<b>RW</b>
7-6	Status	0280	<b>WC</b>
8	Revision ID	nn	RO
9	Programming Interface	10	RO
A	Sub Class Code	00	RO
B	Base Class Code	0C	RO
C	-reserved- (cache line size)	00	—
D	Latency Timer	00	<b>RW</b>
E	Header Type	00	RO
F	-reserved- (Built In Self Test)	00	—
13-10	Base Address Register	0000 0000	<b>RW</b>
14-27	-reserved- (base address registers)	00	—
28-2B	-reserved- (unassigned)	00	—
2C-2F	-reserved- (subsystem ID read)	00	—
30-33	-reserved- (expan. ROM base addr)	00	—
34-3B	-reserved- (unassigned)	00	—
3C	Interrupt Line	00	<b>RW</b>
3D	Interrupt Pin	01	RO
3E	-reserved- (min gnt)	00	—
3F	-reserved- (max lat)	00	—

#### Controller-Specific Configuration Registers

Offset	Heading	Default	Acc
43-40	PCI HCI Control	0000 0000	<b>RO</b>
44	Miscellaneous Control	00	RW
45	-reserved-	00	—
46	PHY Control	00	RW
47-F3	-reserved-	00	—
F4	Hide Function Register	00	RW
F5-F7	-reserved-	00	—
FB-F8	Manufacturer ID	TBD	<b>RO</b>
FC-FF	-reserved-	00	—

### 1394 Memory-Space Registers

Offset	Heading	Default	Acc
0	Version	0000 0000	RO
4	-reserved- (GUID ROM)	0000 0000	—
8	Asynchronous Transmit Retries	0000 0000	RW
C	CSR Data	0000 0000	RW
10	CSR Compare Data	0000 0000	RW
14	CSR Control	8000 0000	RW
18	Configuration ROM Header	0000 0000	RW
1C	1394 Bus ID	3133 3934	RO
20	1394 Bus Options	F000 0002	RW
24	Global Unique ID High	0000 0000	RW
28	Global Unique ID Low	0000 0000	RW
2C-33	-reserved-	00	—
34	Configuration ROM Map	0000 0000	RW
38	Posted Write Address Low	0000 0000	RO
3C	Posted Write Address High	0000 0000	RO
40	Vendor ID	0000 0000	RO
44-4F	-reserved-	00	—
50	HC Control Set	0000 0000	RW
54	HC Control Clear	0000 0000	RW
58-5F	-reserved-	00	—
60-63	-reserved-	00	—
64	Self-ID Buffer Pointer	0000 0000	RW
68	Self-ID Count	0000 0000	RO
6C-6F	-reserved-	00	—
70	Isoch Rcv Channel Mask High Set	0000 0000	RW
74	Isoch Rcv Channel Mask High Clr	0000 0000	RW
78	Isoch Rcv Channel Mask Low Set	0000 0000	RW
7C	Isoch Rcv Channel Mask Low Clr	0000 0000	RW
80	Interrupt Event Set	0000 0000	RW
84	Interrupt Event Clear	0000 0000	RW
88	Interrupt Mask Set	0000 0000	RW
8C	Interrupt Mask Clear	0000 0000	RW
90	Isoch Xmit Interrupt Event Set	0000 0000	RW
94	Isoch Xmit Interrupt Event Clear	0000 0000	RW
98	Isoch Xmit Interrupt Mask Set	0000 0000	RW
9C	Isoch Xmit Interrupt Mask Clear	0000 0000	RW
A0	Isoch Rcv Interrupt Event Set	0000 0000	RW
A4	Isoch Rcv Interrupt Event Clear	0000 0000	RW
A8	Isoch Rcv Interrupt Mask Set	0000 0000	RW
AC	Isoch Rcv Interrupt Mask Clear	0000 0000	RW
B0-DB	-reserved-	00	—
DC	Fairness Control	0000 0000	RW
E0	Link Control Set	0000 0000	RW
E4	Link Control Clear	0000 0000	RW
E8	Node ID	0000 0000	RW
EC	PHY Control	0000 0000	RW
F0	Isochronous Cycle Timer	0000 0000	RW
F4-FF	-reserved-	00	—

100	Async Request Filter High Set	0000 0000	RW
104	Async Request Filter High Clear	0000 0000	RW
108	Async Request Filter Low Set	0000 0000	RW
10C	Async Request Filter Low Clear	0000 0000	RW
110	Physical Request Filter High Set	0000 0000	RW
114	Physical Request Filter High Clear	0000 0000	RW
118	Physical Request Filter Low Set	0000 0000	RW
11C	Physical Request Filter Low Clear	0000 0000	RW
120-17F	-reserved-	00	—
180	Async Request Xmit Context Set	0000 0000	RW
184	Async Request Xmit Context Clr	0000 0000	RW
18C	Async Request Xmit Command Ptr	0000 0000	RW
1A0	Async Response Xmit Context Set	0000 0000	RW
1A4	Async Response Xmit Context Clr	0000 0000	RW
1AC	Async Response Xmit Cmd Ptr	0000 0000	RW
1C0	Async Request Rcv Context Set	0000 0000	RW
1C4	Async Request Rcv Context Clr	0000 0000	RW
1CC	Async Request Rcv Command Ptr	0000 0000	RW
1E0	Async Response Rcv Context Set	0000 0000	RW
1E4	Async Response Rcv Context Clr	0000 0000	RW
1EC	Async Response Rcv Command Ptr	0000 0000	RW
200	Isoch Xmit Context 0 Set	0000 0000	RW
204	Isoch Xmit Context 0 Clr	0000 0000	RW
20C	Isoch Xmit Context 0 Cmd Ptr	0000 0000	RW
210	Isoch Xmit Context 1 Set	0000 0000	RW
214	Isoch Xmit Context 1 Clr	0000 0000	RW
21C	Isoch Xmit Context 1 Cmd Ptr	0000 0000	RW
220	Isoch Xmit Context 1 Set	0000 0000	RW
224	Isoch Xmit Context 1 Clr	0000 0000	RW
22C	Isoch Xmit Context 1 Cmd Ptr	0000 0000	RW
230	Isoch Xmit Context 2 Set	0000 0000	RW
234	Isoch Xmit Context 2 Clr	0000 0000	RW
23C	Isoch Xmit Context 2 Cmd Ptr	0000 0000	RW
250-3FF	-reserved-	00	—
400	Isoch Rcv Context 0 Set	0000 0000	RW
404	Isoch Rcv Context 0 Clr	0000 0000	RW
40C	Isoch Rcv Context 0 Command Ptr	0000 0000	RW
410	Isoch Rcv Context 0 Match	0000 0000	RW
420	Isoch Rcv Context 1 Set	0000 0000	RW
424	Isoch Rcv Context 1 Clr	0000 0000	RW
42C	Isoch Rcv Context 1 Command Ptr	0000 0000	RW
430	Isoch Rcv Context 1 Match	0000 0000	RW
440	Isoch Rcv Context 2 Set	0000 0000	RW
444	Isoch Rcv Context 2 Clr	0000 0000	RW
44C	Isoch Rcv Context 2 Command Ptr	0000 0000	RW
450	Isoch Rcv Context 2 Match	0000 0000	RW
460	Isoch Rcv Context 3 Set	0000 0000	RW
464	Isoch Rcv Context 3 Clr	0000 0000	RW

46C	Isoch Rcv Context 3 Command Ptr	0000 0000	RW
470	Isoch Rcv Context 3 Match	0000 0000	RW
480-7FF	-reserved-	00	—

## Register Descriptions

### 1394 Host Controller Configuration Registers (Function 0)

The 1394 host controller interface follows the Open HCI (OHCI) interface specification. There are two sets of software accessible registers: configuration registers and memory registers. The configuration registers are located in the function 0 PCI configuration space. The memory registers are located in system memory space at offsets from the address stored in the Base Address Register.

### Configuration Space Header

#### Offset 1-0 - Vendor ID .....RO

0-7 Vendor ID .....(1106h = VIA Technologies)

#### Offset 3-2 - Device ID.....RO

0-7 Device ID (0130h = VT6305 1394 Controller)

#### Offset 5-4 - Command.....RW

- 15-10 Reserved ..... always reads 0
- 9 Fast Back-to-Back Enable ..... fixed at 0 (disabled)
- 8 SERR# Enable ..... fixed at 0 (disabled)
- 7 Wait Cycle Control..... fixed at 0 (disabled)
- 6 Parity Error Response..... fixed at 0 (disabled)
- 5 VGA Palette Snoop..... fixed at 0 (disabled)
- 4 Postable Memory Write Enablefixed at 0 (disabled)
- 3 Special Cycle Enable ..... fixed at 0 (disabled)
- 2 Bus Master Enable
  - 0 Disable..... default
  - 1 Enable
- 1 Memory Space Enable
  - 0 Disable..... default
  - 1 Enable Access to 1394 Memory Registers
- 0 I/O Space Enable..... fixed at 0 (disabled)

#### Offset 7-6 - Status.....RWC

- 15 Detected Parity Error.....always reads 0
- 14 Signalled System Error.....always reads 0
- 13 Received Master Abort
  - 0 No Master Abort Generated.....default
  - 1 Master Abort Generated by 1394 Controller. Set by the 1394 interface logic if it generates a master abort while acting as a master. This bit may be cleared by software by writing a one to this bit position.
- 12 Received Target Abort
  - 0 No Target Abort Received .....default
  - 1 Target Abort Received by 1394 Controller. Set by the 1394 interface logic if it receives a target abort while acting as a master. This bit may be cleared by software by writing a one to this bit position.
- 11 Signalled Target Abort.....always reads 0
- 10-9 DEVSEL# Timing
  - 00 Fast
  - 01 Medium..... fixed
  - 10 Slow
  - 11 Reserved
- 8 Data Parity Error Detected.....always reads 0
- 7 Fast Back-to-Back Capable.....always reads 1
- 6 User Definable Features .....always reads 0
- 5 66 MHz Capable .....always reads 0
- 4-0 Reserved .....always reads 0

#### Offset 8 - Revision ID (nnh)..... RO

7-0 Silicon Revision Code (0 indicates first silicon)

#### Offset 9 - Programming Interface (10h=OHCI)..... RO

#### Offset A - Sub Class Code (00h=1394 Serial Bus) ..... RO

#### Offset B - Base Class Code (0Ch=Serial Bus Controller) RO



**Offset D - Latency Timer (00h) ..... RW**

**7-4 Latency Timer Count**

PCI burst cycles generated by the VT6305 can last indefinitely as long as PCI GNT# remains active. If GNT# is negated after the burst is initiated, the VT6305 limits the duration of the burst to the number of PCI Bus clocks specified in this field.

**3-0 Reserved** ..... always reads 0

**Offset E - Header Type (00h) ..... RO**

**Offset 13-10 - Base Address – 1394 Register Space ..... RW**

**31-7 Base Address (128-Byte Space)**..... default = 0

**6-4 Reserved** ..... always reads 0

**3 Prefetchable** ..... always reads 0

Reads 0 to indicate that the 1394 register space is not prefetchable.

**2-1 Type** ..... always reads 0

Reads 0 to indicate that the 1394 register space may be located anywhere in the 32-bit address space.

**0 Resource Type** ..... always reads 0

Reads 0 to indicate a request for memory space.

**Offset 3C - Interrupt Line (00h) ..... RO**

**Offset 3D - Interrupt Pin (01h=Drives INTA#) ..... RO**

**Controller-Specific Configuration Registers**

**Offset 43-40 –PCI HCI Control.....RO**

insert bit definitions here

**Offset 44 – Miscellaneous Control..... RW**

**7-1 Reserved** ..... always reads 0

**0 Lock GUID Registers**

0 Global Unique ID Registers are RW.....default

1 Global Unique ID Registers are Read Only

Once set, this bit cannot be cleared except by PCI Reset. The GUID registers are located in memory in the 1394 register space.

**Offset 46 – PHY Control.....RW**

**7-2 Reserved** .....always reads 0

**1 Isolated**

0 Direct Environment

1 Isolated Environment

**0 Multiple Speed Concatenation Disable**

0 Packets of different speeds may be concatenated as long as the concatenation is not down to an S100 PHY.

1 Only same speed packets may be concatenated (packets of different speeds may not be)

Note: A default value of 0000 for bits 3-0 indicates that the 1394 interface is connected to a 1394a-compliant PHY.

**Offset F4 – Hide Function Control .....RW**

**7-1 Reserved** .....always reads 0

**0 Hide Function**

0 1394 Function Visible .....default

1 1394 Function Hidden

If this bit is set, the 1394 function will be hidden. All subsequent reads or writes to this configuration space will then cause a master abort to be generated. This bit can only be cleared by a PCI reset.

**Offset FB-F8 – Manufacturer ID..... RO**

**31-0 Manufacturer ID**.....always reads ???

**1394 Host Controller Memory-Space Registers**

These registers occupy a 2048-byte space in system memory (offsets 0-7FFh). This address space begins at the address contained in the 1394 Configuration Space “Base Address Register” (Function 0 Configuration Space Offset 10h).

All registers must be accessed as 32-bit words on 32-bit boundaries. Writes to reserved addresses have undefined results and reads from reserved addresses return indeterminate data. Unless specified otherwise, all register fields default to 0 and are unchanged after a 1394 bus reset.

Some registers are designated as Set and Clear registers. These registers are in pairs, where a read of either address will return the current contents of the register. Data written to the Set register address is assumed to be a bit mask where one bits determine which bits should be set. Data written to the Clear register address is assumed to be a bit mask where one bits determine which bits should be cleared.

**Memory Offset 0 – Version.....RO**

**7-0 Reserved** ..... always reads 0

**Memory Offset 8 – Asynchronous Transmit Retries.....RW**

**31-29 Second Limit** .....RO  
Count in Seconds (modulo 8). These bits and the Cycle Limit bits below define a time limit for retry attempts when the outbound dual-phase retry protocol is in use.

**28-16 Cycle Limit** .....RO  
Count in Cycles (modulo 8000). These bits and the Second Limit bits above define a time limit for retry attempts when the outbound dual-phase retry protocol is in use.

**15-12 Reserved** .....always reads 0

**11-8 Max Physical Response Retries** .....default = 0  
Specifies how many times to attempt to retry the transmit operation for the physical response packet when a “busy” or “ack\_type\_error” acknowledge is received from the target node. This value is used only for responses to physical requests.

**7-4 Max AT Response Retries** .....default = 0  
Specifies to the Asynchronous Transmit Response subsystem how many times to attempt to retry the transmit operation for the response packet when a “busy” or “ack\_type\_error” acknowledge is received from the target node. This value is used only for responses sent by software via the Asynchronous Transmit Response DMA context.

**3-0 Max AT Request Retries** .....default = 0  
Specifies to the Asynchronous Transmit DMA Request subsystem how many times to attempt to retry the transmit operation for a packet when a “busy” or “ack\_type\_error” acknowledge is received from the target node. This value is used only for responses sent by software via the Asynchronous Transmit Request DMA context.

**Autonomous CSR Resources**

The VT6305 implements the 1394 “Compare-and-Swap” bus management registers, the Configuration ROM Header, and the “Bus Info Block”. It also allows access to the first 1K bytes of the configuration ROM.

Atomic compare-and-swap transactions, when accessed from the 1394 bus, are autonomous without software intervention. To access these bus management resource registers via the PCI bus, the software first loads the CSR Data register with a new data value to be loaded, then it loads the CSR Compare register with the expected value. Finally, it writes the CSR Control register with the selected value of the resource. This initiates a compare-and-swap operation. When complete, the CSR Control register “done” bit will be set and the CSR Data register will contain the value of the selected resource prior to the host-initiated compare-and-swap operation.

**Bus Management CSR Registers**

1394 requires certain 1394 bus management resource registers to be accessible only via 32-bit read and 32-bit lock (compare-and-swap) transactions. These special bus management resource registers are implemented on-chip:

CSR Address	CSR Select	Register Name	Hardware or Bus Reset
FFFF F000 021C	00	Bus Manager ID	0000 003F
FFFF F000 0220	01	Bandwidth Available	0000 1333
FFFF F000 0224	10	Channels Available Hi	FFFF FFFF
FFFF F000 0228	18	Channels Available Lo	FFFF FFFF

**CSR Address FFFF F000 021C – Bus Manager ID..... RW**

- 31-6 Reserved ..... always reads 0
- 5-0 Bus Manager ID ..... default = 3Fh

**CSR Address FFFF F000 0220 – Bandwidth Available RW**

- 31-13 Reserved ..... always reads 0
- 12-0 Bandwidth Available ..... default = 1333h

**CSR Address FFFF F000 0224 – Channels Avail Hi..... RW**

- 7-0 Reserved ..... always reads 0

**CSR Address FFFF F000 0228 – Channels Avail Lo .... RW**

- 7-0 Reserved ..... always reads 0

**Memory Offset C – CSR Data .....RW**

- 31-0 CSR Data ..... default = undefined  
Data to be stored if comparison is successful.

**Memory Offset 10 – CSR Compare Data .....RW**

- 31-0 CSR Compare Data ..... default = undefined  
Data to be compared with existing value of CSR resource.

**Memory Offset 14 – CSR Control.....RW**

- 31 CSR Done .....default = 1  
Set when a compare-swap operation is completed.  
Reset whenever this register is written.
- 30-2 Reserved .....always reads 0
- 1-0 CSR Resource Select..... default = undefined
  - 00 Bus Manager ID
  - 01 Bandwidth Available
  - 10 Channels Available Hi
  - 11 Channels Available Lo

**Memory Offset 18 – Configuration ROM Header .....RW**

- 31-24 Bus Info Block Length .....default = 0  
Length of the Bus Information Block in doublewords
- 23-16 CRC Length .....default = 0  
Length of the block protected by the CRC (a value of 4 indicates that the CRC only protects the configuration ROM header).
- 15-0 ROM CRC Value  
Default value loaded from GUID ROM if present (default is undefined if GUID ROM is not present). Must be set prior to setting the “HC Control” register “Link Enable” bit.

**Memory Offset 1C – 1394 Bus ID.....RO**

This register maps to the 1st 32-bit word of the bus info block.

**31-0 Bus ID** ..... always reads 31333934h (ASCII “1394”)

**Memory Offset 20 – 1394 Bus Options.....RW**

This register maps to the 2nd quadword of the bus info block.

- 31 Isochronous Resource Manager Capable**
  - 0 Not capable
  - 1 Capable..... default
- 30 Cycle Master Capable**
  - 0 Not capable
  - 1 Capable..... default
- 29 Isochronous Capable**
  - 0 Not capable
  - 1 Capable..... default
- 28 Bus Manager Capable**
  - 0 Not capable
  - 1 Capable..... default
- 27 Power Management Capable**
  - 0 Not capable ..... default
  - 1 Capable
- 26-24 Reserved** ..... always reads 0
- 23-16 Cycle Clock Acc**  
1394 Bus Management Field. This field must be written with valid data prior to setting the “HC Control” register “link enable” bit.
- 15-12 Received Block Write Request Packet Max Length**  
1394 Bus Management Field. This field must be written with valid data prior to setting the “HC Control” register “link enable” bit. Received block write request packets with a length greater than the value contained in this field may generate an “ack\_type\_error”.
- 11-8 Reserved** ..... always reads 0
- 7-6 Configuration ROM Changed Since Last Bus Reset**
  - 0 Configuration ROM not changed ..... default
  - 1 Configuration ROM changed
- 5-3 Reserved** ..... always reads 0
- 2-0 Max Link Speed** ..... default = 010

**Memory Offset 24 – Global Unique ID High.....RW**

This register maps to the 3rd 32-bit word of the bus info block. Contents are cleared by hardware reset but are not affected by software reset. Read/Write if Rx44[0] is cleared, Read/Only if Rx44[0] is set.

- 31-8 Node Vendor ID** .....default = 0  
1394 Bus Management Field. Must be set prior to setting the “HC Control” register “link enable” bit.
- 7-0 Chip ID High** .....default = 0  
1394 Bus Management Field. Must be set prior to setting the “HC Control” register “link enable” bit.

**Memory Offset 28 – Global Unique ID Low.....RW**

This register maps to the 4th 32-bit word of the bus info block. Contents are cleared by hardware reset but are not affected by software reset. Read/Write if Rx44[0] is cleared, Read/Only if Rx44[0] is set.

- 31-0 Chip ID Low** .....default = 0  
1394 Bus Management Field. Must be set prior to setting the “HC Control” register “link enable” bit.

**Memory Offset 34 – Configuration ROM Map..... RW**

This register contains the start address within the memory space that maps to the start address of the 1394 configuration ROM. Only 32-bit word reads to the first 1K bytes of the configuration ROM will map to memory space.(all other transactions to this space will be rejected with an “ack\_type\_error”). The system address of the configuration ROM must start on a 1K-byte boundary. The first five 32-bit words of the configuration ROM space are mapped to the configuration ROM header and Bus Info Block, so the first five registers addressed by this register are not used. This register must be set to a valid address prior to setting the “HC Control” register “link enable” bit.

**31-10 Configuration ROM Address** ..... default = 0  
Read requests to 1394 offsets FFFF F000 0400 through FFFF F000 03FC have the low-order 10 bits of the offset added to this register to determine the host memory address of the returned data value.

**9-0 Reserved** ..... always reads 0

**Memory Offset 38 – Posted Write Address Low.....RO**

**31-0 Offset Low** .....default = undefined  
If the “Posted Write Error” bit is set in the Interrupt Events register, this and the “Posted Write Address High” register contain the 48 bits of the 1394 destination offset of the write request that resulted in the PCI error.

**Memory Offset 3C – Posted Write Address High.....RO**

**31-16 Source ID** .....default = undefined  
The Bus Number and Node Number of the node which has issued the failed write request.

**15-0 Offset High** .....default = undefined  
If the “Posted Write Error” bit is set in the Interrupt Events register, this and the “Posted Write Address Low” register contain the 48 bits of the 1394 destination offset of the write request that resulted in the PCI error.

**Memory Offset 40 – Vendor ID.....RO**

**31-0 Vendor ID** .....always reads TBD

**HC Control Registers**

The following two registers are a “set / clear” register pair. Writing to the “Set” register address sets selected bits in the control register where the written bit value is 1. Writing to the “Clear” register address clears selected bits in the control register where the written bit value is 1. Reading from either address returns the contents of the control register.

**Memory Offset 50 (Set), 54 (Clear) – HC Control .....RW**

**31-20 Reserved** .....always reads 0

**19 Link Power Status**

- 0 Prohibit Link to PHY Communications ..... def
- 1 Permit Link to PHY Communications (link can use LREQs to perform PHY reads and writes).

This bit has no effect on “Link On” status for the node (see Link Enable status below). Both software and hardware resets clear this bit.

**18 Posted Write Enable** ..... default = undefined

- 0 All writes return “ack\_pending”
- 1 Enable 2-deep posted write queue

Software should only change this bit when “Link Enable” is 0.

**17 Link Enable**

- 0 Disable packets from being transmitted, received, or processed.....default
- 1 Enable packets to be transmitted, received, and processed

Both software and hardware resets clear this bit. Software should not set this bit until the Configuration ROM mapping register is valid.

**16 Soft Reset**

When set, all on-chip 1394 states are reset, all FIFOs are flushed, and all registers are set to their hardware reset (default) values unless otherwise specified. PCI configuration registers are not affected. Hardware clears this bit automatically when the reset is complete (it reads 1 while the reset is in progress).

**15-0 Reserved** .....always reads 0

**Self-ID Control Registers**

**Memory Offset 64 – Self ID Buffer Pointer ..... RW**

- 31-11 Self-ID Buffer Pointer** .....default = undefined  
Contains the base address of a 2K-byte buffer in host memory where received Self-ID packets are stored.
- 10-0 Reserved** ..... always reads 0

**Memory Offset 68 – Self ID Count ..... RO**

- 31 Self-ID Error** .....default = undefined
  - 0 Self-ID packet received with no errors (this bit is automatically cleared after error-free reception of a Self-ID packet)
  - 1 Error detected during most recent Self-ID packet reception (the contents of the Self-ID Buffer are undefined in this case)
- 30-24 Reserved** ..... always reads 0
- 23-16 Self-ID Generation** .....default = undefined  
The value in this field is incremented automatically each time the Self-ID reception process begins. The value rolls over after reaching 255.
- 15-13 Reserved** ..... always reads 0
- 12-2 Self-ID Size** .....default = undefined  
Contains the length in 32-bit words of Self-ID data that has been received. This field is cleared by 1394 bus reset.
- 1-0 Reserved** ..... always reads 0

**Channel Mask Registers**

**Offset 70 (Set), 74 (Clear) – Iso Rcv Channel Mask Hi RW**

- 31-0 Iso Channel Mask N+32** .....default = 0000  
Bits 31-0 correspond to channel numbers 63-32.  
Writing 1 bits to offset 70 enables corresponding channels for receiving isochronous data. Writing 1 bits to offset 74 disables corresponding channels from receiving isochronous data.

**Offset 78 (Set), 7C (Clear) – Iso Rcv Channel Mask LoRW**

- 31-0 Iso Channel Mask N+32** .....default = 0000  
Bits 31-0 correspond to channel numbers 31-0.  
Writing 1 bits to offset 78 enables corresponding channels for receiving isochronous data. Writing 1 bits to offset 7C disables corresponding channels from receiving isochronous data.

**Interrupt Registers**

**Memory Offset 80 (Set), 84 (Clear) – Interrupt Events RW**

- 31-27 **Reserved** ..... always reads 0
- 26 **PHY Register Data Received**  
PHY register data byte received (data byte not sent when register 0 received)
- 25 **Cycle Too Long**  
More than 115 usec (but not more than 120 usec) elapsed between the start of sending a cycle start packet and the end of a subaction gap.
- 24 **Unrecoverable Error**  
Error encountered that has forced the chip to stop operations of any or all subunits (e.g., when a DMA context sets its “ContextControl.Dead” bit)
- 23 **Cycle Inconsistent**  
Cycle start received with a cycle count different from the value in the “Cycle Timer” register
- 22 **Cycle Lost**  
Expected cycle start not received (cycle start not received immediately after the first subaction gap after the “Cycle Sync” event or arbitration reset gap detected after a “Cycle Sync” event without an intervening cycle start).
- 21 **Cycle 64 Seconds Interrupt**  
Bit 7 of the “Cycle Seconds Counter” has changed.
- 20 **Cycle Synch Interrupt**  
New isochronous cycle started (least significant bit of the cycle count toggled).
- 19 **PHY Requested Interrupt**  
The PHY has requested an interrupt using a status transfer.
- 18 **Reserved** ..... always reads 0
- 17 **Bus Reset Entered**  
The Phy has entered bus reset mode.
- 16 **Self-ID Complete**  
Self-ID packet stream received.
- 15-10 **Reserved** ..... always reads 0
- 9 **Lock Response Error**  
Lock response sent to a serial bus register in response to a lock request but no “ack\_complete” received.
- 8 **Posted Write Error**  
A host bus error occurred while the chip was trying to write a 1394 write request (which had already been given an “ack\_complete”) into system memory.

- 7 **Isochronous ReceiveDMA Complete**  
One or more Isochronous receive contexts have generated an interrupt (one or more bits have been set in the “Isochronous Receive Interrupt Event” register masked by the “Isochronous Receive Interrupt Mask” register).
- 6 **Isochronous Transmit DMA Complete**  
One or more Isochronous transmit contexts have generated an interrupt (one or more bits have been set in the “Isochronous Transmit Interrupt Event” register masked by the “Isochronous Transmit Interrupt Mask” register).
- 5 **Response Packet Sent**  
A packet was sent to an asynchronous receive response context buffer.
- 4 **Receive Packet Sent**  
A packet was sent to an asynchronous receive request context buffer.
- 3 **Async Receive Response DMA Complete**  
Conditionally set upon completion of an ARDMA Response context command descriptor.
- 2 **Async Receive Request DMA Complete**  
Conditionally set upon completion of an ARDMA Request context command descriptor.
- 1 **Async Response Transmit DMA Complete**  
Conditionally set upon completion of an ATDMA Response command.
- 0 **Async Request Transmit DMA Complete**  
Conditionally set upon completion of an ATDMA Request command.

**Memory Offset 88 (Set), 8C (Clear) – Interrupt Mask .RW**

The bits in this register (except for the Master Interrupt Enable bit in bit-31) correspond to the bits in the Interrupt Event register above. Zeros in these bits prevent the corresponding interrupt condition from generating an interrupt. Bits are set in the mask register by writing one bits to the “Set” address and cleared by writing one bits to the “Clear” address. The current value of the mask bits may be read from either address.

- 31 **Master Interrupt Enable**
  - 0 Disable All Interrupt Events .....default
  - 1 Generate interrupts per mask bits 0-26
- 30-27 **Reserved** .....always reads 0
- 26-0 **Interrupt Mask** ..... default = undefined (see Interrupt Event register)



**Offset 90 (Set), 94 (Clear) – Iso Xmit Interrupt Events RW**

- 31-4 Reserved** ..... always reads 0
- 3-0 Isochronous Transmit Context** .default = undefined  
An interrupt is generated by an isochronous transmit context if an “Output Last DMA” command completes and its “i” bits are set to “interrupt always”. Software clears the bits in this register by writing one bits to the “Clear” address. Bits in this register will only get set to one if the corresponding bits in the mask register are set to one.

**Offset 98 (Set), 9C (Clear) – Iso Xmit Interrupt Mask .RW**

- 31-4 Reserved** ..... always reads 0
- 3-0 Iso Transmit Context Mask**.....default = undefined  
Setting bits in this register enables interrupts to be generated by the corresponding isochronous transmit context

**Offset A0 (Set), A4 (Clear) – Iso Rcv Interrupt Events.RW**

- 31-4 Reserved** .....always reads 0
- 3-0 Isochronous Receive Context** ... default = undefined  
An interrupt is generated by an isochronous receive context if an “Input Last DMA” command completes and its “i” bits are set to “interrupt always”. Software clears the bits in this register by writing one bits to the “Clear” address. Bits in this register will only get set to one if the corresponding bits in the mask register are set to one.

**Offset A8 (Set), AC (Clear) – Iso Rcv Interrupt Mask .RW**

- 31-4 Reserved** .....always reads 0
- 3-0 Iso Receive Context Mask**..... default = undefined  
Setting bits in this register enables interrupts to be generated by the corresponding isochronous receive context

**Link Control Registers**

**Memory Offset DC – Fairness Control .....RO**

- 31-8 Reserved** ..... always reads 0
- 7-0 Requests Per Fairness Interval** ..... default = 0  
The number of request packets allowed to be transmitted per fairness interval

**Memory Offset E0 (Set), E4 (Clear) – Link Control ....RW**

This register contains the control flags that enable and configure the link core protocol portions of the chip. It contains controls for the receiver and cycle timer.

- 31-22 Reserved** ..... always reads 0
- 21 Cycle Master** .....default = undefined
  - 0 Received cycle start packets will be accepted to maintain synchronization with the node that is sending them.
  - 1 If the PHY has sent notification that it is root, a cycle start packet will be generated every time the cycle timer rolls over, based on the setting of the “Cycle Source” bit.  
This bit is cleared automatically if the “Cycle Too Long” interrupt event occurs and cannot be set until the “Cycle Too Long” interrupt event bit is cleared.
- 20 Cycle Timer Enable**.....default = undefined
  - 0 Cycle timer offset will not count
  - 1 Cycle Timer offset will count cycles of the 24.576 MHz clock and roll over at the appropriate time based on the settings of the above bits
- 19-11 Reserved** ..... always reads 0
- 10 Receive PHY Packet**..... default = 0
  - 0 All PHY packets received outside of the self-ID phase are ignored
  - 1 The receiver will accept incoming PHY packets into the AR request context if the AR request context is enabled. This bit does not control receipt of self-ID packets.
- 9 Receive Self-ID** ..... default = 0
  - 0 All self-ID packets are ignored
  - 1 The receiver will accept incoming self-identification packets. Before setting this bit, software must ensure that the self-ID buffer pointer register contains a valid address.
- 8-0 Reserved** ..... always reads 0

**Memory Offset E8 – Node ID.....RW**

This register contains the CSR address for the node on which this chip resides. The 16-bit combination of the Bus Number and Node Number fields is referred to as the “Node ID”. The Node Number field is updated when register 0 is sent from the PHY. This can happen either because software requested a read from the PHY through the PHY Control register or because the PHY is sending the register (most likely due to a bus reset).

- 31 ID Valid**
  - 0 No valid node number (cleared by bus reset)
  - 1 Valid node number received from PHY
- 30 Root**
  - This bit is set to 0 or 1 during bus reset
  - 0 Attached PHY is not root..... def
  - 1 Attached PHY is root
- 29-28 Reserved** .....always reads 0
- 27 Cable Power Status**
  - 0 PHY reports cable power status is not OK . def
  - 1 PHY reports cable power status is OK.
- 26-16 Reserved** .....always reads 0
- 15-6 Bus Number** .....  
Used to identify the specific 1394 bus to which this node belongs when multiple 1394-compatible buses are connected via a bridge (set to 3FFh by bus reset)
- 5-0 Node Number** .....default = 0  
The physical node number established by the PHY during self-identification and automatically set to the value received from the PHY after the self-identification phase. If the PHY sets this field to 63 (all ones), all link-level transmits are disabled.

**PHY Control Registers**

**Memory Offset EC – PHY Control ..... RW**

This register is used to read or write a PHY register. To read or write, the address of the register is written into the Register Address field. For reads the “Read Register” bit is set (when the request has been sent to the PHY, the “Read Register” bit is cleared automatically by the chip). When transmitting the request, the first clock for LREQ for the register read/write portion will be bit-11 of this register followed by bit-10, etc, finishing with bit-8 for register reads and bit-0 for register writes. When the PHY returns the register through a status transfer, the “Read Done” bit is set. The address of the register received is placed in the “Read Address” field and the contents in the “Read Data” field. The first bits of data received on the status transfer for the register are placed in bits 27 (D[0]) and 26 (D[1]) of this register. For writes, the value to write is written to the “Write Data” field and the “Write Register” bit is set. The “Write Register” bit is cleared automatically by the chip when the write request has been sent to the PHY.

**31 Read Done**

Indicates that a read request has been completed and valid information is contained in the Read Data and Read Address fields. Cleared when the “Read Register” bit is set. It is set by the chip when a register transfer is received from the PHY.

**30-28 Reserved** ..... always reads 0

**27-24 Read Address**

The address of the register most recently received from the PHY.

**23-16 Read Data**

The contents of the register most recently received from the PHY

**15 Read Register**

Used to initiate a read request from a PHY register (must not be set at the same time as the “Write Register” bit). Cleared by the chip when the request has been sent.

**14 Write Register**

Used to initiate a write request to a PHY register (must not be set at the same time as the “Read Register” bit). Cleared by the chip when the request has been sent.

**13-12 Reserved** ..... always reads 0

**11-8 Register Address**

The address of the PHY register to be read or written

**7-0 Write Data**

The data to be written to the PHY (ignored for reads)

**Cycle Timer Registers**

**Memory Offset F0 – Isochronous Cycle Timer.....RW**

This register shows the current cycle number and offset. When the chip is cycle master, this register is transmitted with the cycle start message. When it is not cycle master, this register is loaded with the data field in an incoming cycle start. In the event that the cycle start message is not received, the fields continue incrementing on their own (when the “Cycle Timer Enable” field is set in the “Link Control” register) to maintain a local time reference.

**31-25 Cycle Seconds** .....default = 0

This field counts seconds (“Cycle Count” rollovers) modulo 128.

**24-12 Cycle Count** .....default = 0

This field counts cycles (“Cycle Offset” rollovers) modulo 8000.

**11-0 Cycle Offset** .....default = 0

This field counts 24.576 MHz clocks modulo 3072 (125 usec).

**Filter Registers**

**Offset 100 (Set), 104 (Clear) – Async Req Filter High..RW**

- 31 Async Request Resources All Buses**
    - 0 Asynchronous requests received from non-local bus nodes will be accepted only if the bit which is set corresponds to the node number (see the remaining bits of this register and the “Async Request Filter Low” register). ..default
    - 1 All asynchronous requests received from non-local bus nodes will be accepted.
- Bus reset does not affect the value of this bit
- 30-0 Async Request Resource “N”** .....default = 0  
If set to one for local bus node number N+32, asynchronous requests received from that node number will be accepted. The bit number corresponds to the node number + 32. Bus reset sets all bits of this field to 0.

**Offset 108 (Set), 10C (Clear) – Async Req Filter Low..RW**

- 31-0 Async Request Resource “N”** .....default = 0  
If set to one for local bus node number N, asynchronous requests received from that node number will be accepted. The bit number corresponds to the node number. Bus reset sets all bits of this field to 0.

**Offset 110 (Set), 114 (Clear) – Physical Req Filter HighRW**

- 31 Physical Request Resources All Buses**
    - 0 Asynchronous physical requests received from non-local bus nodes will be accepted only if the bit which is set corresponds to the node number (see the remaining bits of this register and the “Physical Request Filter Low” register).....default
    - 1 All asynchronous physical requests received from non-local bus nodes will be accepted.
- Bus reset does not affect the value of this bit.
- 30-0 Physical Request Resource “N”** .....default = 0  
If set to one for local bus node number N+32, asynchronous physical requests received from that node number will be accepted. The bit number corresponds to the node number + 32. Bus reset sets all bits of this field to 0.

**Offset 118 (Set), 11C (Clear) – Physical Req Filter LowRW**

- 31-0 Physical Request Resource “N”** .....default = 0  
If set to one for local bus node number N, asynchronous physical requests received from that node number will be accepted. The bit number corresponds to the node number. Bus reset sets all bits of this field to 0

**Asynchronous Transmit & Receive Context Registers**

**Offset 180 (Set), 184 (Clr) – Async Req Xmit Context..RW**

**Offset 1A0 (Set), 1A4 (Clr) – Async Rsp Xmit Context RW**

**Offset 1C0 (Set), 1C4 (Clr) – Async Req Rcv Context..RW**

**Offset 1E0 (Set), 1E4 (Clr) – Async Rsp Rcv Context ..RW**

These registers are the Context Control registers for Asynchronous Transmit Requests and Responses and Asynchronous Receive Requests and Responses, respectively. They contain bits for control of options, operational state, and status for a DMA context. The bit layout for both registers is given below:

**31-16 Reserved** ..... always reads 0

**15 Run**

This bit is set and cleared by software to enable descriptor processing for a context. The chip will clear this bit automatically on a hardware or software reset. Before software sets this bit, the active bit must be clear and the Command Pointer register for the context must contain a valid descriptor block address and a Z value that is appropriate for the descriptor block address.

Software may stop the chip from further processing of a context by clearing this bit. When cleared, the chip will stop processing of the context in a manner that will not impact the operation of any other context or DMA controller. This may require a significant amount of time. If software clears a run bit for an isochronous context while the chip is processing a packet for the context, it will continue to receive or transmit the packet and update the descriptor status. It will then stop at the conclusion of that packet. If the run bit is cleared for a non-isochronous context, the chip will stop processing at a convenient point and put the descriptors in a consistent state (e.g., status updated if a packet was sent and acknowledged).

Clearing the bit may have other side effects that are DMA controller dependent. This is described in the sections that cover each of the DMA controllers.

**14-13 Reserved** ..... always reads 0

**12 Wake** ..... default = 0

When software adds to a list of descriptors for a context, the chip may have already read the descriptor that was at the end of the list before it was updated. This bit provides a semaphore to indicate that the list may have changed.

If the chip had fetched a descriptor and the indicated branch address had a Z value of zero, it will reread the pointer value when the wake bit is set. If, on the reread, the Z value is still zero, then the end of the list has been reached and the chip will clear the

active bit. If, however, the Z value is now non-zero, the chip will continue processing. If the wake bit is set while the chip is active and has a Z value of non-zero, it takes no special action.

The chip will clear this bit before it reads or rereads a descriptor. The wake bit should not be set while the run bit is zero.

**11 Dead** .....default = 0

This bit is set by the chip to indicate a fatal error in processing a descriptor. When set, the active bit is cleared. This bit is cleared when software clears the run bit or on a hardware or software reset.

**10 Active** .....default = 0

This bit is set by the chip when software sets the run bit or sets the wake bit while the run bit is set. The chip will clear this bit:

- 1) when a branch is indicated by a descriptor but the Z value of the branch address is 0
- 2) when software clears the run bit and the chip has reached a safe stopping point
- 3) while the dead bit is set
- 4) after a hardware or software reset
- 5) for asynchronous transmit contexts (request and response), when a bus reset occurs

When this bit is 0 and the run bit is 0, the chip will set the Interrupt Event bit for the context.

**9-8 Reserved** .....always reads 0

**7-5 Speed (Async Receive Contexts Only)**

This field indicates the speed at which the packet was received or transmitted:

- 000 100 Mbits/sec
- 001 200 Mbits/sec
- 010 400 Mbits/sec
- 011 -reserved-
- 1xx -reserved-

**4-0 Ack / Err Code**.....default = 0

Following an “Output Last” command, the received “Ack Code” or “Event Error Code” is indicated in this field. Possible values are: “Ack Complete”, “Ack Pending”, “Ack Busy X”, “Ack Data Error”, “Ack Type Error”, “Event Tcode Error”, “Event Missing Ack”, “Event Underrun”, “Event Descriptor Read”, “Event Data Read”, “Event Timeout”, “Event Flushed”, and “Event Unknown” (see “Table 3. Packet Event Codes” on the following page for descriptions and values for these codes).

**Offset 18C – Async Req Xmit Context Command Ptr ..RW**

**Offset 1AC – Async Rsp Xmit Context Command Ptr..RW**

**Offset 1CC – Async Req Rcv Context Command Ptr....RW**

**Offset 1EC – Async Rsp Rcv Context Command Ptr ....RW**

**Table 3. Packet Event Codes**

<b>Code</b>	<b>Name</b>	<b>DMA</b>	<b>Meaning</b>
00/10	<b>Event Tcode Error</b>	AT, AR, IT, IR, IT	A bad Tcode is associated with this packet. The packet was flushed.
01/11	<b>Event Short Packet</b>		The received data length was less than the packet's data length (IR <u>packet-per-buffer</u> mode only).
02/12	<b>Event Long Packet</b>	IR	The received data length was greater than the packet's data length (IR <u>packet-per-buffer</u> mode only).
03/13	<b>Event Missing Ack</b>	AT	A subaction gap was detected before an ack arrived
04/14	<b>Event Underrun</b>	AT, IT	An underrun occurred on the corresponding FIFO and the packet was truncated.
05/15	<b>Event Overrun</b>	IR	A receive FIFO overflowed during the reception of an isochronous packet.
06/16	<b>Event Descriptor Read</b>	AT, AR, IT, IR	An unrecoverable error occurred while the Host Controller was reading a descriptor block.
07/17	<b>Event Data Read</b>	AT, IT	An error occurred while the Host Controller was attempting to read from host memory in the data stage of descriptor processing.
08/18	<b>Event Data Write</b>	AR, IR, IT	An error occurred while the Host Controller was attempting to write to host memory in the data stage of descriptor processing.
09/19	<b>Event Bus Reset</b>	AR	Identifies a PHY packet in the receive buffer as being the synthesized bus reset packet
0A/1A	<b>Event Timeout</b>	AT	Indicates that the asynchronous transmit response packet expired and was not transmitted
0B	<b>Event Tcode Error</b>	AT	A bad Tcode is associated with this packet. The packet was flushed.
0C- 0D/1B -1D	<b>Reserved</b>		
0E/1E	<b>Event Unknown</b>	AT, AR, IT, IR	An error condition has occurred that cannot be represented by any other defined event codes
0F/1F	<b>Event Flushed</b>	AT	Sent by the link side of the output FIFO when asynchronous packets are being flushed due to a bus reset
11	<b>Ack Complete</b>	AT, AR, IT, IR	The destination node has successfully accepted the packet. If the packet was a request subaction, the destination node has successfully completed the transaction and no response subaction shall follow. The ack / err code for transmitted PHY, isochronous and broadcast packets, none of which yield an ack code, will be set by hardware to "Ack Complete" unless an "Event Underrun" or "Event Data Read" occurs.
12	<b>Ack Pending</b>	AT, AR	The destination node has successfully accepted the packet. If the packet was a request subaction, a response subaction will follow at a later time. This code is not returned for a response subaction.
13	<b>Reserved</b>		
14	<b>Ack Busy X</b>	AT	The packet could not be accepted after max "ATretries" attempts and the last ack received was "Ack Busy X."
15	<b>Ack Busy A</b>	AT	The packet could not be accepted after max "ATretries" attempts and the last ack received was "Ack Busy A." OHCI does not support the dual phase retry protocol for transmitted packets, so this ack should not be received.
16	<b>Ack Busy B</b>	AT	The packet could not be accepted after max "ATretries" attempts and the last ack received was "Ack Busy B" (see note for "Ack Busy A").
17-1C	<b>Reserved</b>		
1D	<b>Ack Data Error</b>	AT, IR	The destination node could not accept the block packet because the data field failed the CRC check or because the length of the data block payload did not match the length contained in the "Data Length" field. This code is not returned for any packet that does not have a data block payload.
1E	<b>Ack Type Error</b>	AT, AR	Returned when a received block write request or received block read request is greater than "max_rec"
1F	<b>Reserved</b>		

**Isochronous Transmit Context Registers**

**Offset 200 (Set), 204 (Clr) – Isoch Xmit Context 0..... RW**

**Offset 210 (Set), 214 (Clr) – Isoch Xmit Context 1..... RW**

**Offset 220 (Set), 224 (Clr) – Isoch Xmit Context 2..... RW**

**Offset 230 (Set), 234 (Clr) – Isoch Xmit Context 3..... RW**

These registers are the Context Control registers for Isochronous Transmit Contexts 0-3. Each context consists of two registers: a Command Pointer and a Context Control register. The Command Pointer is used by software to tell the controller where the context program begins. The Context Control register controls the context’s behavior and indicates current status. The bit layout for the Context Control registers is given below:

**31-30 Reserved** ..... always reads 0

**29 Cycle Match Enable**

In general, when set to one the context will begin running only when the 13-bit “Cycle Match” field matches the 13-bit “Cycle Count” in the Cycle Start packet. The effects of this bit however are impacted by the values of other bits in this register. Once the context becomes active, this bit is cleared automatically by the chip.

**28-16 Cycle Match**

Contains a 13-bit value corresponding to the 13-bit “Cycle Count” field. If the “Cycle Match Enable” bit is set, this ITDMA context will become enabled for transmits when the bus cycle time “Cycle Count” value equals the value in this field.

**15 Run**

This bit is set and cleared by software to enable descriptor processing for a context. The chip will clear this bit automatically on a hardware or software reset. Before software sets this bit, the active bit must be clear and the Command Pointer register for the context must contain a valid descriptor block address and a Z value that is appropriate for the descriptor block address.

Software may stop the chip from further processing of a context by clearing this bit. When cleared, the chip will stop processing of the context in a manner that will not impact the operation of any other context or DMA controller. This may require a significant amount of time. If software clears a run bit while the chip is processing a packet for the context, it will continue to receive or transmit the packet and update the descriptor status. It will then stop at the conclusion of that packet.

Clearing the bit may have other side effects that are DMA controller dependent. This is described in the sections that cover each of the DMA controllers.

**14-13 Reserved** ..... always reads 0

**12 Wake** .....default = 0  
When software adds to a list of descriptors for a context, the chip may have already read the descriptor that was at the end of the list before it was updated. This bit provides a semaphore to indicate that the list may have changed.

If the chip had fetched a descriptor and the indicated branch address had a Z value of zero, it will reread the pointer value when the wake bit is set. If, on the reread, the Z value is still zero, then the end of the list has been reached and the chip will clear the active bit. If, however, the Z value is now non-zero, the chip will continue processing. If the wake bit is set while the chip is active and has a Z value of non-zero, it takes no special action.

The chip will clear this bit before it reads or rereads a descriptor. The wake bit should not be set while the run bit is zero.

**11 Dead** .....default = 0

This bit is set by the chip to indicate a fatal error in processing a descriptor. When set, the active bit is cleared. This bit is cleared when software clears the run bit or on a hardware or software reset.

**10 Active** .....default = 0

This bit is set by the chip when software sets the run bit or sets the wake bit while the run bit is set. The chip will clear this bit:

- 1) when a branch is indicated by a descriptor but the Z value of the branch address is 0
- 2) when software clears the run bit and the chip has reached a safe stopping point
- 3) while the dead bit is set
- 4) after a hardware or software reset

When this bit is cleared and the run bit is clear, the chip will set the Interrupt Event bit for the context.

**9-5 Reserved** .....always reads 0

**4-0 Ack / Err Code**.....default = 0

Following an “Output Last” command, the received “Ack Code” or “Event Error Code” is indicated in this field. Possible values are: “Ack Complete”, “Ack Pending”, “Ack Busy X”, “Ack Data Error”, “Ack Type Error”, “Event Tcode Error”, “Event Missing Ack”, “Event Underrun”, “Event Descriptor Read”, “Event Data Read”, “Event Timeout”, “Event Flushed”, and “Event Unknown” (see “Table 3. Packet Event Codes” on the previous page for descriptions and values for these codes).

**Offset 20C – Isoch Xmit Context 0 Command Ptr .....RW**

**Offset 21C – Isoch Xmit Context 1 Command Ptr .....RW**

**Offset 22C – Isoch Xmit Context 2 Command Ptr .....RW**

**Offset 23C – Isoch Xmit Context 3 Command Ptr .....RW**

**Isochronous Receive Context Registers**

**Offset 400 (Set), 404 (Clr) – Isoch Rcv Context 0 ..... RW**

**Offset 420 (Set), 424 (Clr) – Isoch Rcv Context 1 ..... RW**

**Offset 440 (Set), 444 (Clr) – Isoch Rcv Context 2 ..... RW**

**Offset 460 (Set), 464 (Clr) – Isoch Rcv Context 3 ..... RW**

These registers are the Context Control registers for Isochronous Receive Contexts 0-3. Each context consists of three registers: a Command Pointer, a Context Control register, and a Context Match register. The Command Pointer is used by software to tell the controller where the context program begins. The Context Control register controls the context’s behavior and indicates current status. The Context Match Register is used to start transmitting from a context program on a specified cycle number. The bit layout for the Context Control registers is given below:

**31 Buffer Fill**

- 0 Each received packet is placed in a single buffer
- 1 Received packets are placed back-to-back to completely fill each receive buffer

If the “Multi-Channel Mode” bit is set, this bit must also be set. This bit must not be changed while the “Active” bit is set.

**30 Isoch Header**

- 0 The packet header is stripped from received isochronous packets
- 1 Received packets will include the isochronous packet header (the header will be stored first in memory followed by the payload). The end of the packet will be marked with a “Transfer Status” (bits 15-0 of this register) in the first word followed by a 16-bit time stamp indicating the time of the most recently received “Cycle Start” packet.

**29 Cycle Match Enable**

- 0 Context will begin running immediately
- 1 Context will begin running only when the 13-bit “Cycle Match” field in the “Context Match” register matches the 13-bit “Cycle Count” in the Cycle Start packet.

The effects of this bit are impacted by the values of other bits in this register. Once the context becomes active, this bit is cleared automatically by the chip.

**28 Multi-Channel Mode**

- 0 The context will receive packets for a single channel.
- 1 The context will receive packets for all isochronous channels enabled in the “IR Channel Mask High” and “IR Channel Mask Low” registers (the channel number in the “Context Match” register is ignored). If more

than one Context Control register has the Multi-Channel Mode bit set, unspecified behavior will result.

**27-16 Reserved .....always reads 0**  
**15 Run**

This bit is set and cleared by software to enable descriptor processing for a context. The chip will clear this bit automatically on a hardware or software reset. Before software sets this bit, the active bit must be clear and the Command Pointer register for the context must contain a valid descriptor block address and a Z value that is appropriate for the descriptor block address.

Software may stop the chip from further processing of a context by clearing this bit. When cleared, the chip will stop processing of the context in a manner that will not impact the operation of any other context or DMA controller. This may require a significant amount of time. If software clears the run bit while the chip is processing a packet for the context, it will continue to receive or transmit the packet and update descriptor status. It will then stop at the conclusion of that packet.

Clearing the bit may have other side effects that are DMA controller dependent. This is described in the sections that cover each of the DMA controllers.

**14-13 Reserved .....always reads 0**

**12 Wake .....default = 0**

When software adds to a list of descriptors for a context, the chip may have already read the descriptor that was at the end of the list before it was updated. This bit provides a semaphore to indicate that the list may have changed.

If the chip had fetched a descriptor and the indicated branch address had a Z value of zero, it will reread the pointer value when the wake bit is set. If, on the reread, the Z value is still zero, then the end of the list has been reached and the chip will clear the active bit. If, however, the Z value is now non-zero, the chip will continue processing. If the wake bit is set while the chip is active and has a Z value of non-zero, it takes no special action.

The chip will clear this bit before it reads or rereads a descriptor. The wake bit should not be set while the run bit is zero.

**11 Dead .....default = 0**

This bit is set by the chip to indicate a fatal error in processing a descriptor. When set, the active bit is cleared. This bit is cleared when software clears the run bit or on a hardware or software reset.

**10 Active .....default = 0**

This bit is set by the chip when software sets the run bit or sets the wake bit while the run bit is set. The chip will clear this bit:



- 1) when a branch is indicated by a descriptor but the Z value of the branch address is 0
- 2) when software clears the run bit and the chip has reached a safe stopping point
- 3) while the dead bit is set
- 4) after a hardware or software reset

When this bit is cleared and the run bit is clear, the chip will set the Interrupt Event bit for the context.

**9-7 Reserved** ..... always reads 0

**6-5 Speed**

This field indicates the speed at which the packet was received or transmitted:

- 00 100 Mbits/sec
- 01 200 Mbits/sec
- 10 400 Mbits/sec
- 11 -reserved-

**4-0 Ack / Err Code** ..... default = 0

Following an “Input” command, this field contains the error code.

For “Buffer Fill” mode, possible values are: “Ack Complete”, “Ack Data Error”, “Event Overrun”, “Event Descriptor Read”, “Event Data Write”, and “Event Unknown” (see “Table 3. Packet Event Codes” for descriptions and values for these codes).

For “Packet-Per-Buffer” mode, possible values are: “Ack Complete”, “Ack Data Error”, “Event Short Packet”, “Event Long Packet”, “Event Overrun”, “Event Descriptor Read”, “Event Data Write”, and “Event Unknown” (see “Table 3. Packet Event Codes” for descriptions and values for these codes).

**Offset 40C – Isoch Receive Context 0 Command Ptr.... RW**

**Offset 42C – Isoch Receive Context 1 Command Ptr.... RW**

**Offset 44C – Isoch Receive Context 2 Command Ptr.... RW**

**Offset 46C – Isoch Receive Context 3 Command Ptr.... RW**

**Offset 410 – Isoch Receive Context 0 Match..... RW**

**Offset 430 – Isoch Receive Context 1 Match..... RW**

**Offset 450 – Isoch Receive Context 2 Match..... RW**

**Offset 470 – Isoch Receive Context 3 Match..... RW**

## ELECTRICAL SPECIFICATIONS

### Absolute Maximum Ratings

Parameter	Min	Max	Unit
Ambient operating temperature	0	70	°C
Storage temperature	-55	125	°C
Input voltage	-0.5	5.5	Volts
Output voltage ( $V_{CC} = 3.1 - 3.6V$ )	-0.5	$V_{CC} + 0.5$	Volts

Note: Stress above the conditions listed may cause permanent damage to the device. Functional operation of this device should be restricted to the conditions described under operating conditions.

### DC Characteristics

TA=0-70°C,  $V_{CC}=3.3V\pm 5\%$ , GND=0V

Symbol	Parameter	Min	Max	Unit	Condition
$V_{IL}$	Input low voltage	-0.50	0.8	V	
$V_{IH}$	Input high voltage	2.0	$V_{CC}+0.5$	V	
$V_{OL}$	Output low voltage	-	0.45	V	$I_{OL}=4.0mA$
$V_{OH}$	Output high voltage	2.4	-	V	$I_{OH}=-1.0mA$
$I_{IL}$	Input leakage current	-	+/-10	uA	$0 < V_{IN} < V_{CC}$
$I_{OZ}$	Tristate leakage current	-	+/-20	uA	$0.45 < V_{OUT} < V_{CC}$
$I_{CC}$	Power supply current	-	TBD	mA	

## PACKAGE MECHANICAL SPECIFICATIONS

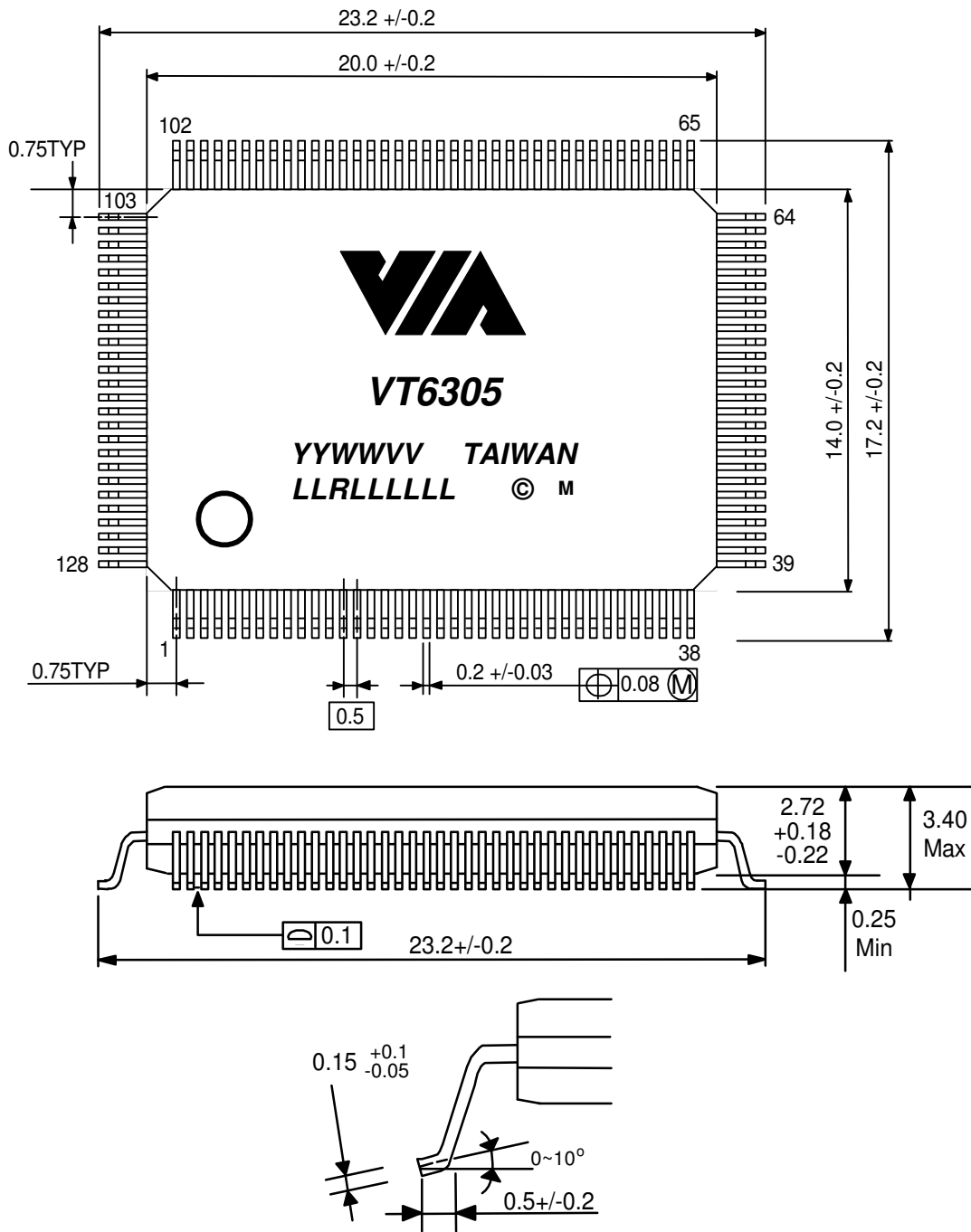


Figure 4. Mechanical Specifications – 128 Pin PQFP Package